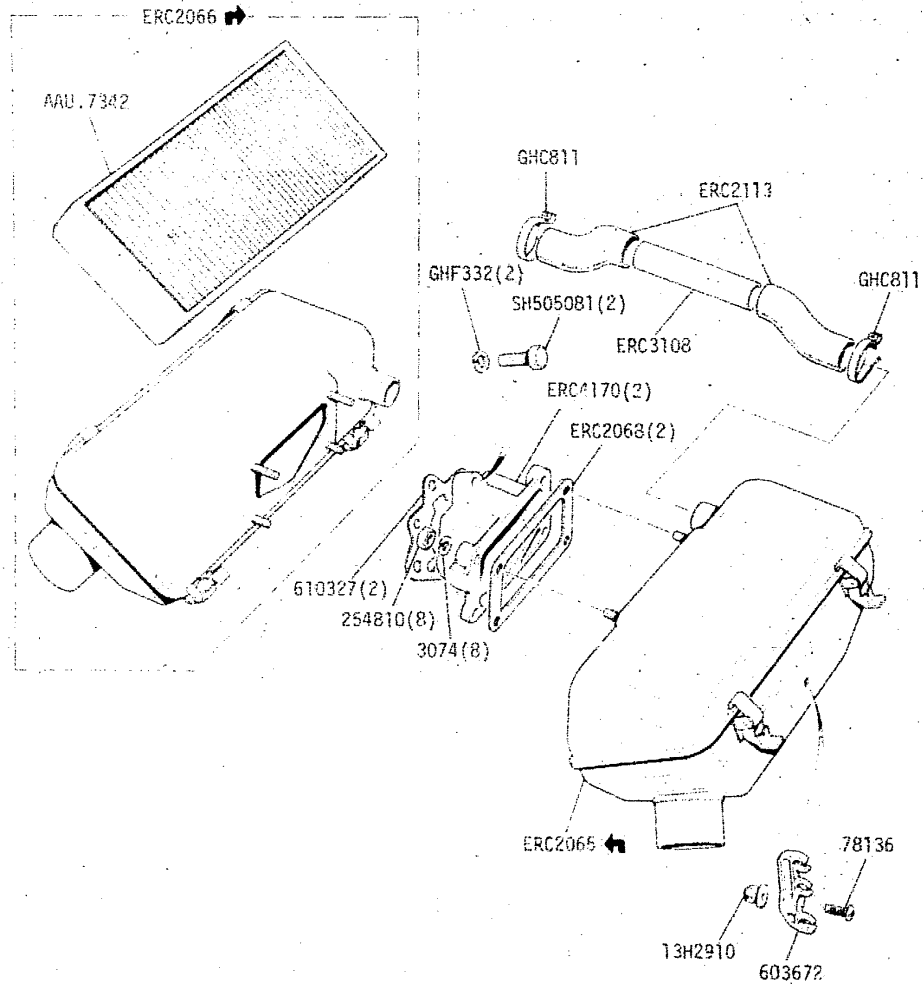
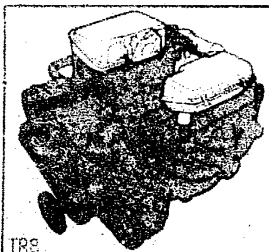
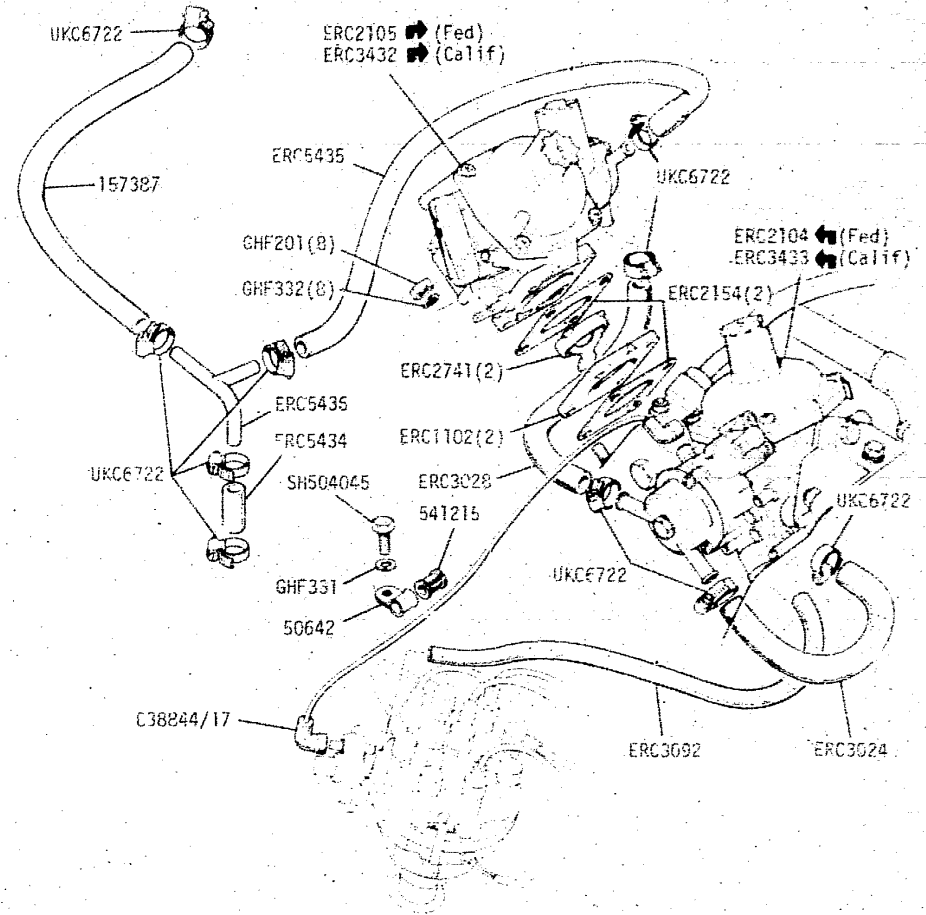


GROUP H  
FUEL SYSTEM - Air Cleaner, Air Intake Adaptor, Balance Tube Carb



GROUP H  
FUEL SYSTEM - Carburettor Mounting and Hoses



TR8

11 02L

67009/1



TR8

11 02R

66652/1

GROUP INDEX

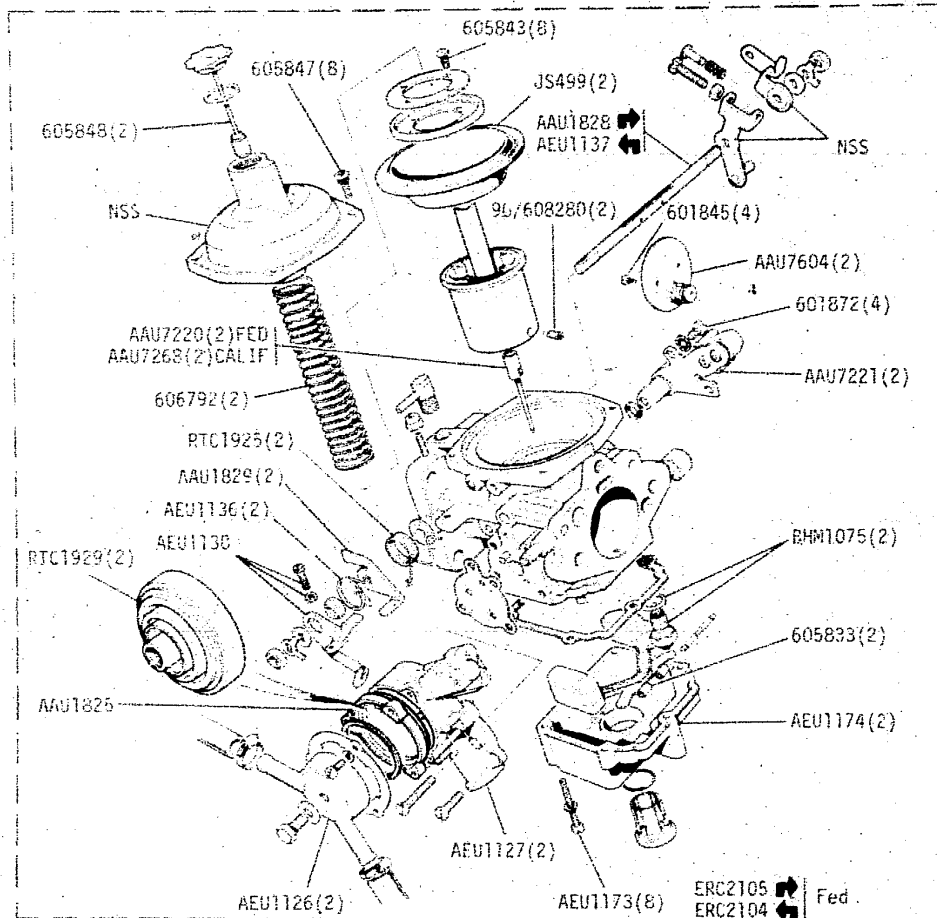
Introduction **1B 2B**  
 Engine **1C**  
 Flywheel and Clutch **1D**  
 Gearbox and Propshaft **1E**  
 Axles, Suspension, Drive Shafts, Wheels **1F**

Steering **1G**  
 Brakes and Brake Controls **1H**  
 Fuel, Exhaust and Emission Systems **1I - J**  
 Cooling, Heating and Air Conditioning **1K**  
 Electrical, Washers-Wipers, Instruments **1L-M**

Chassis, Subframes, Bodyshell, Fittings **2C**  
 Fascia, Trim, Seats and Fixings **2D**  
 Miscellaneous **2E**  
 Numerical Index **2F**

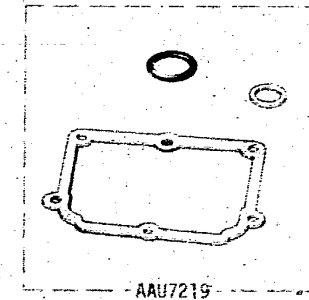
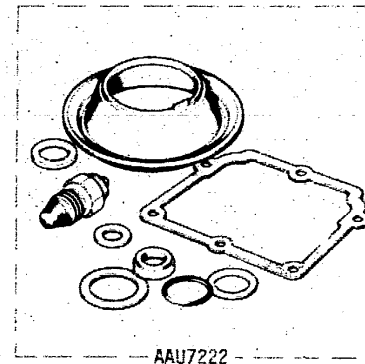
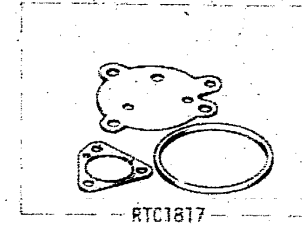
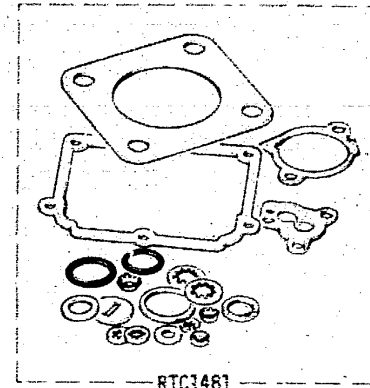
**1102**

GROUP H  
FUEL SYSTEM - Carburettor Assembly



TRS 11 03L B6653/2

GROUP H  
FUEL SYSTEM - Carburettor service kits



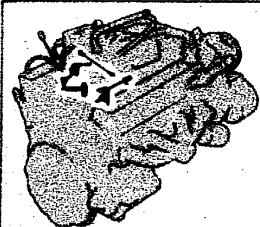
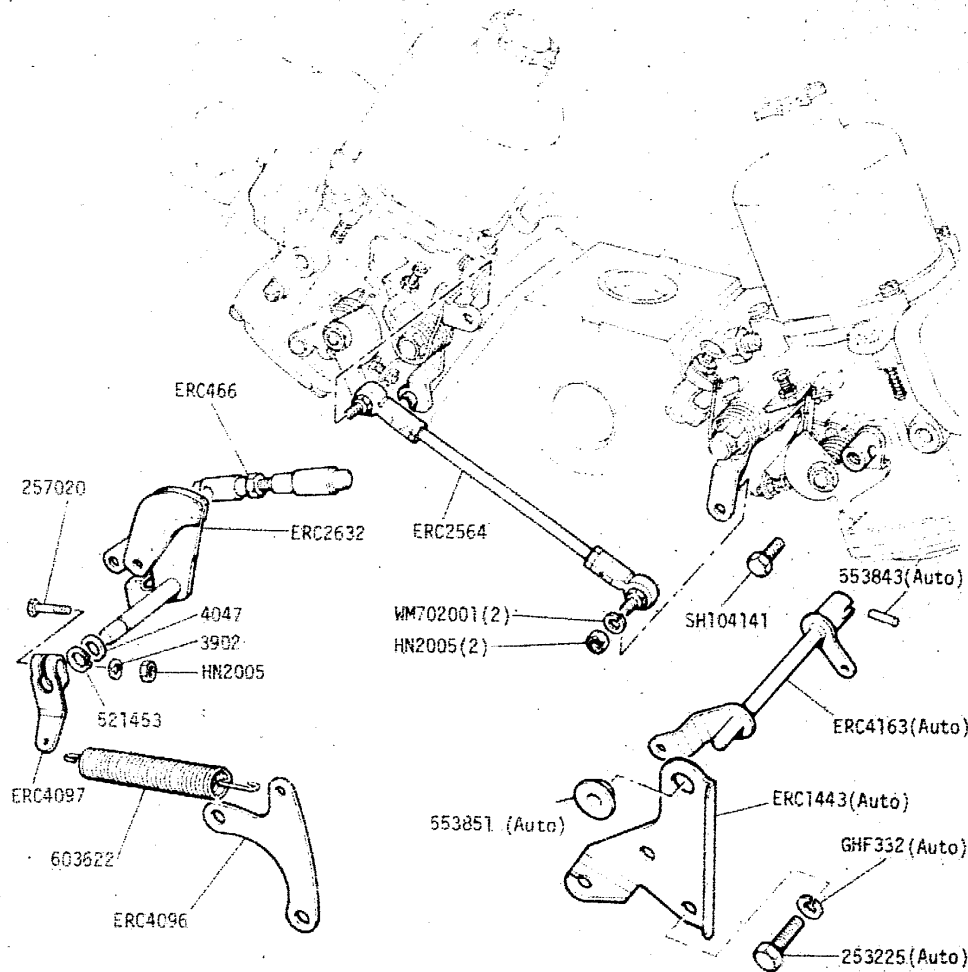
TR8 11 03 B7101/1

GROUP INDEX

Introduction	<b>1B 2B</b>	Steering	<b>1G</b>	Chassis, Subframes, Bodyshell, Fittings	<b>2C</b>
Engine	<b>1C</b>	Brakes and Brake Controls	<b>1H</b>	Fascia, Trim, Seats and Fixings	<b>2D</b>
Flywheel and Clutch	<b>1D</b>	Fuel, Exhaust and Emission Systems	<b>1I - J</b>	Miscellaneous	<b>2E</b>
Gearbox and Propshaft	<b>1E</b>	Cooling, Heating and Air Conditioning	<b>1K</b>	Numerical Index	<b>2F</b>
Axles, Suspension, Drive Shafts, Wheels	<b>1F</b>	Electrical, Washers-Wipers, Instruments	<b>1L - M</b>		

**1103**

GROUP H  
FUEL SYSTEM - Throttle Linkage

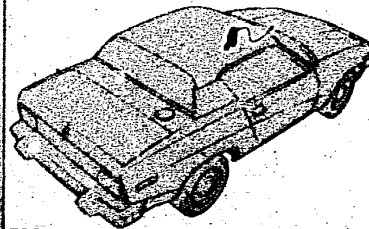
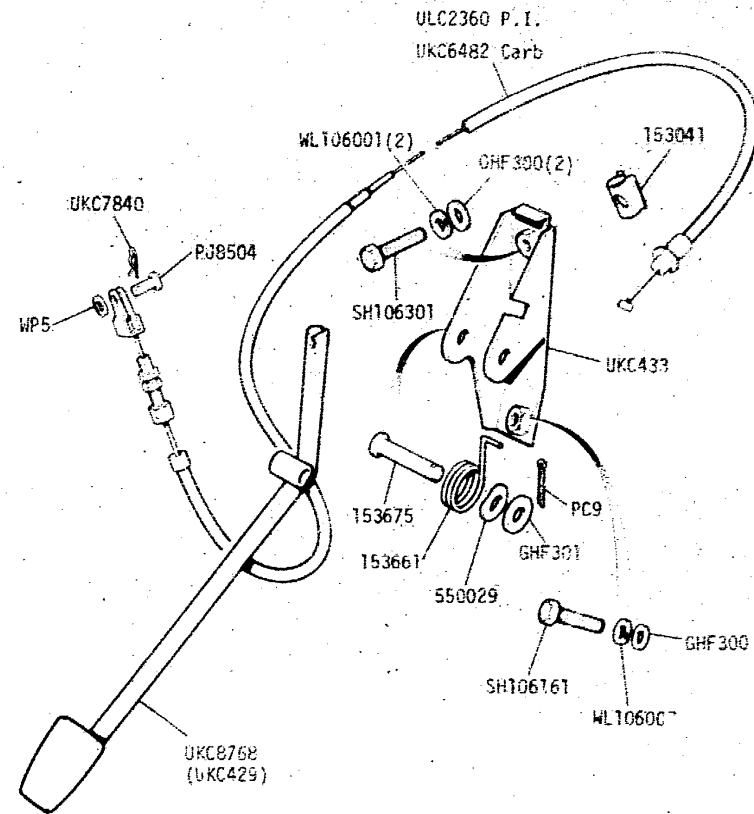


TR8

11 04L

B7089/1

GROUP H  
FUEL SYSTEM - Accelerator Cable and Pedal



TR8

11 04R

B7045/1

GROUP INDEX

Introduction  
Engine  
Flywheel and Clutch  
Gearbox and Propshaft  
Axes, Suspension, Drive Shafts, Wheels

**1B 2B**  
**1C**  
**1D**  
**1E**  
**1F**

Steering  
Brakes and Brake Controls  
Fuel, Exhaust and Emission Systems  
Cooling, Heating and Air Conditioning  
Electrical, Washers-Wipers, Instruments

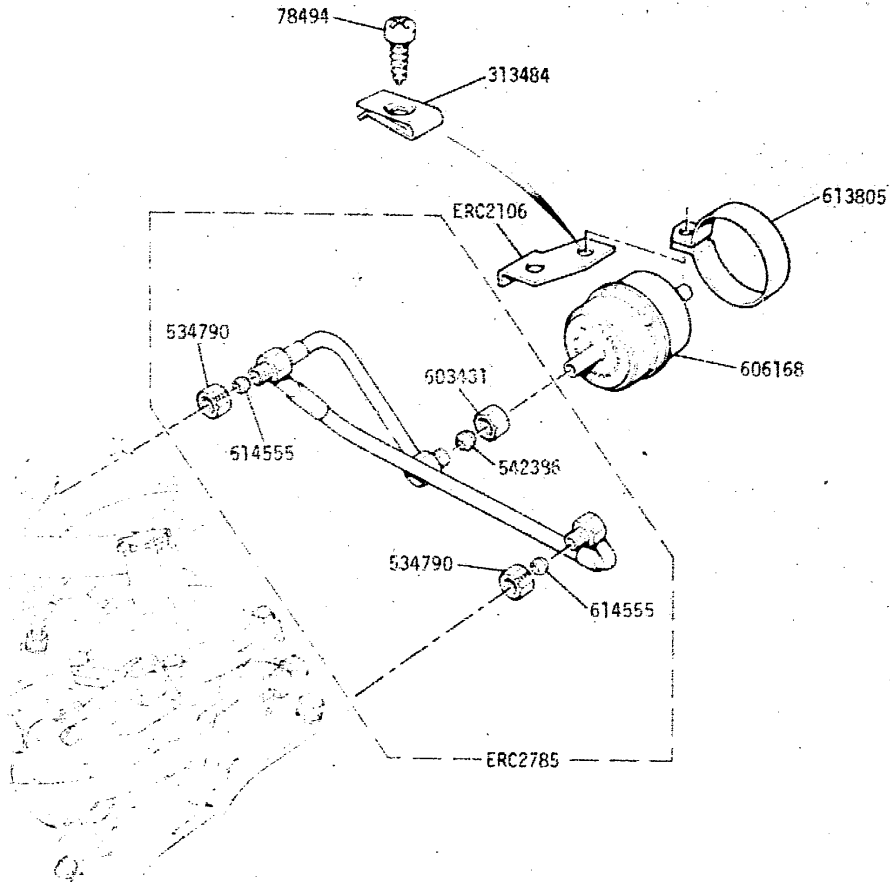
**1G**  
**1H**  
**1I - J**  
**1K**  
**1L - M**

Chassis, Subframes, Bodyshell, Fittings  
Fascia, Trim, Seats and Fixings  
Miscellaneous  
Numerical Index

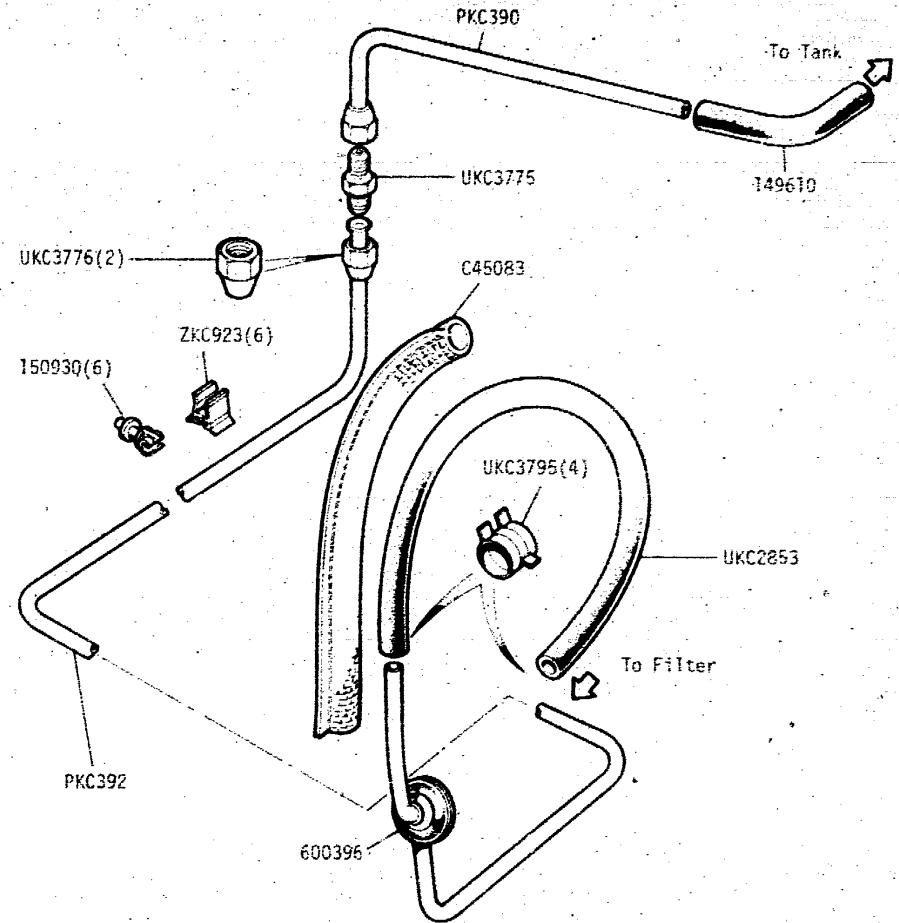
**2C**  
**2D**  
**2E**  
**2F**

**1104**

GROUP H  
FUEL SYSTEM - Petrol feed pipe and filter



GROUP H  
FUEL SYSTEM - Fuel Pipes (Pump to Filter) Carb



TR8

11 05L

B6654/1

TR8 Carb

11 05R

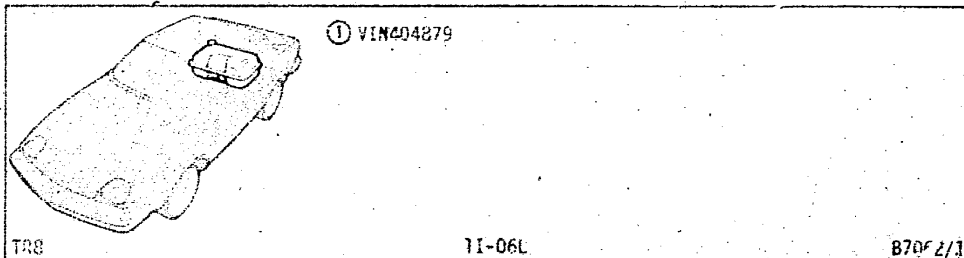
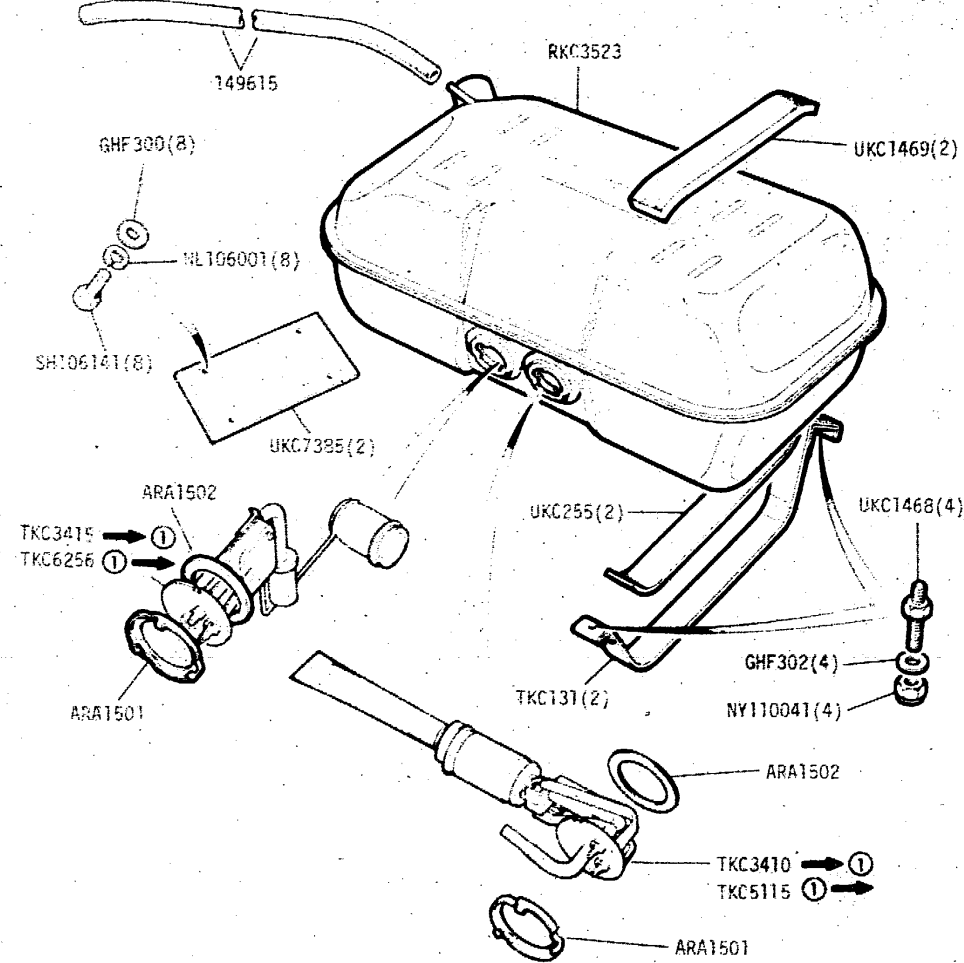
B7063/1

GROUP INDEX

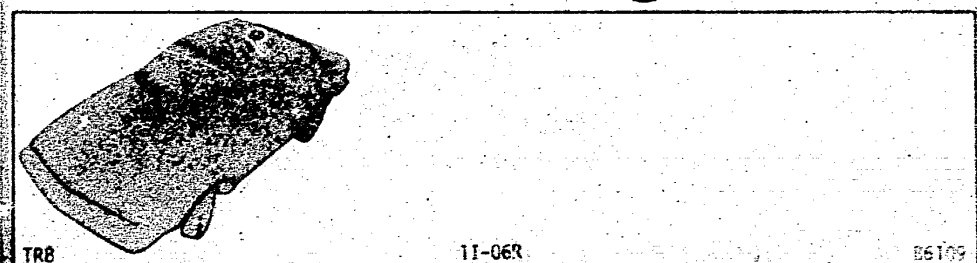
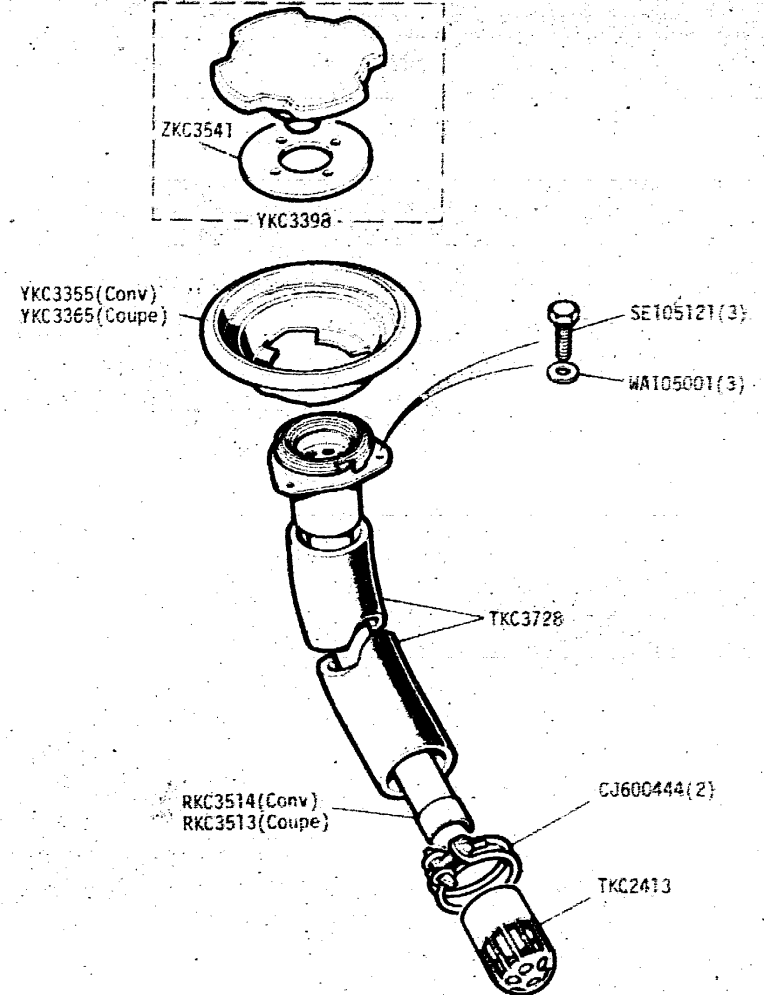
Introduction	<b>1B 2B</b>	Steering	<b>1G</b>	Chassis, Subframes, Bodyshell, Fittings	<b>2C</b>
Engine	<b>1C</b>	Brakes and Brake Controls	<b>1H</b>	Fascia, Trim, Seats and Fixings	<b>2D</b>
Flywheel and Clutch	<b>1D</b>	Fuel, Exhaust and Emission Systems	<b>1I - J</b>	Miscellaneous	<b>2E</b>
Gearbox and Propshaft	<b>1E</b>	Cooling, Heating and Air Conditioning	<b>1K</b>	Numerical Index	<b>2F</b>
Axles, Suspension, Drive Shafts, Wheels	<b>1F</b>	Electrical, Washers-Wipers, Instruments	<b>1L-M</b>		

**1105**

GROUP H  
FUEL SYSTEM - Fuel tank, pump and tank unit



GROUP H  
FUEL SYSTEM - Fuel Filter Pipe and Cap



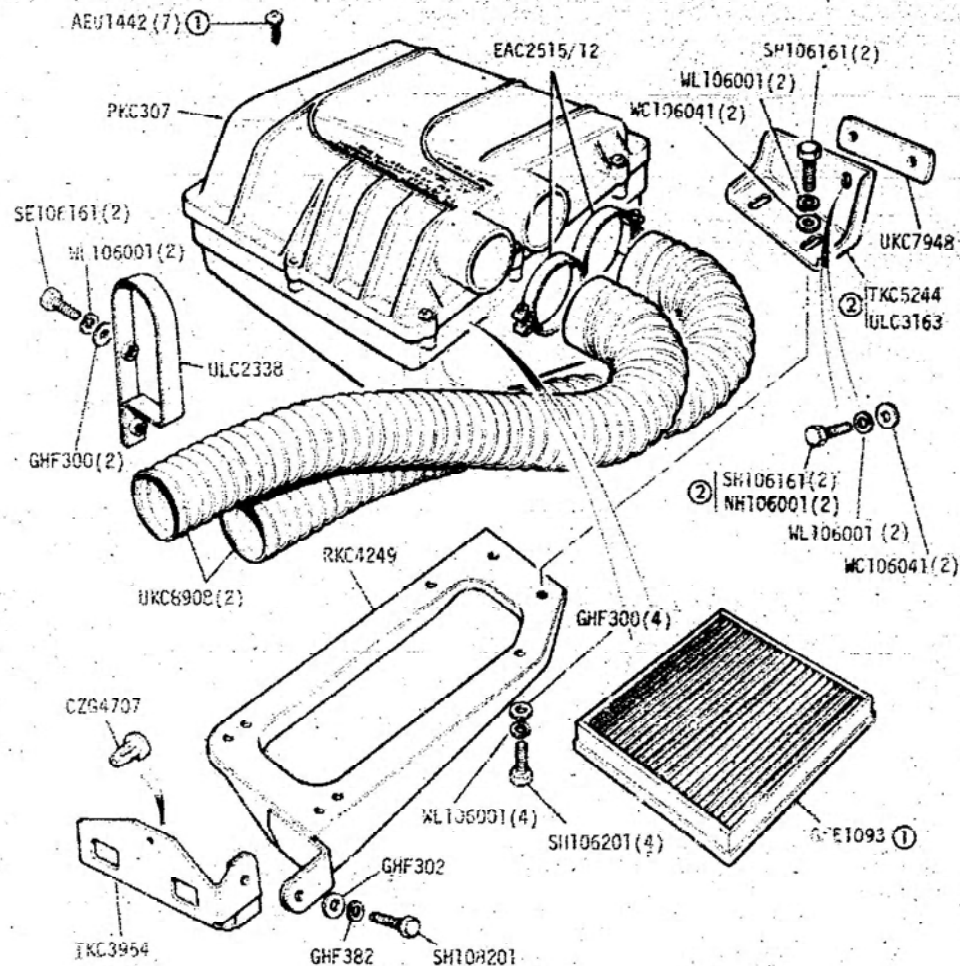
GROUP INDEX

Introduction	<b>1B 2B</b>	Steering	<b>1G</b>
Engine	<b>1C</b>	Brakes and Brake Controls	<b>1H</b>
Flywheel and Clutch	<b>1D</b>	Fuel, Exhaust and Emission Systems	<b>1I - J</b>
Gearbox and Propshaft	<b>1E</b>	Cooling, Heating and Air Conditioning	<b>1K</b>
Axles, Suspension, Drive Shafts, Wheels	<b>1F</b>	Electrical, Washers-Wipers, Instruments	<b>1L - M</b>

Chassis, Subframes, Bodysheell, Fittings	<b>2C</b>
Fascia, Trim, Seats and Fixings	<b>2D</b>
Miscellaneous	<b>2E</b>
Numerical Index	<b>2F</b>

**1106**

GROUP I:  
FUEL SYSTEM Air Cleaner P/I Engine



① Part of Air Cleaner Assy PKC307

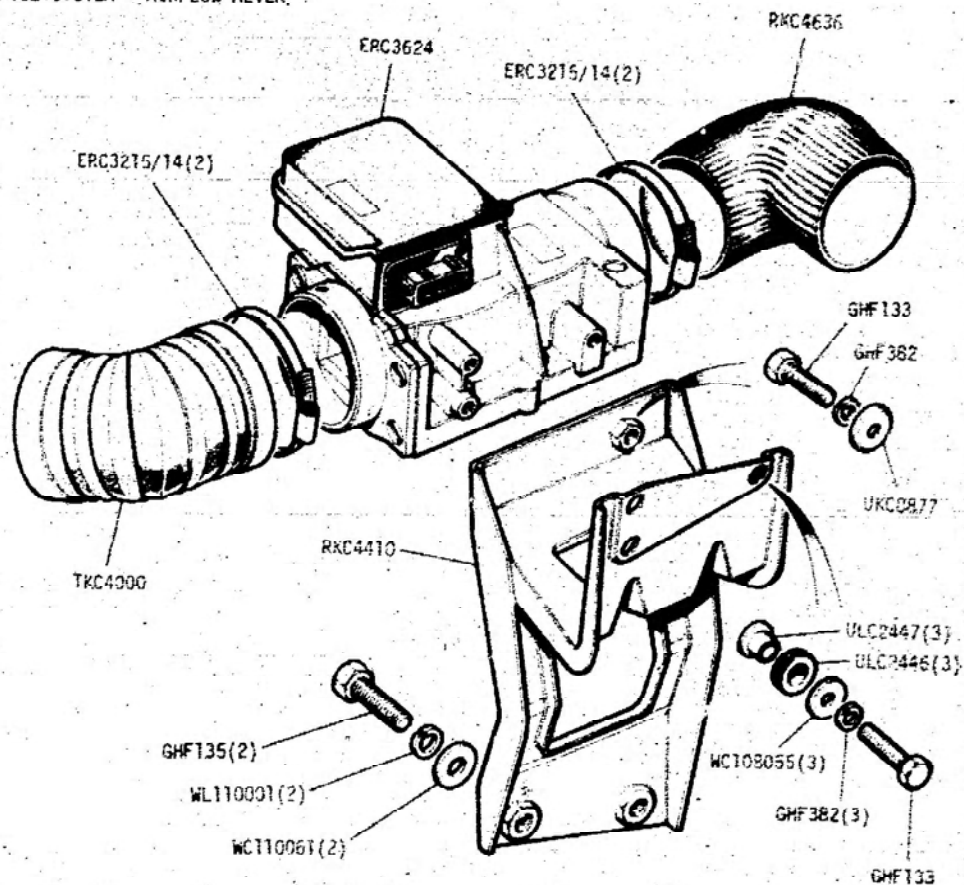
② Alt fitment

TR8

11-07L

VS1808

GROUP H:  
FUEL SYSTEM - AIRFLOW METER



TR8 P.I.

11-07R

VS1809

GROUP INDEX

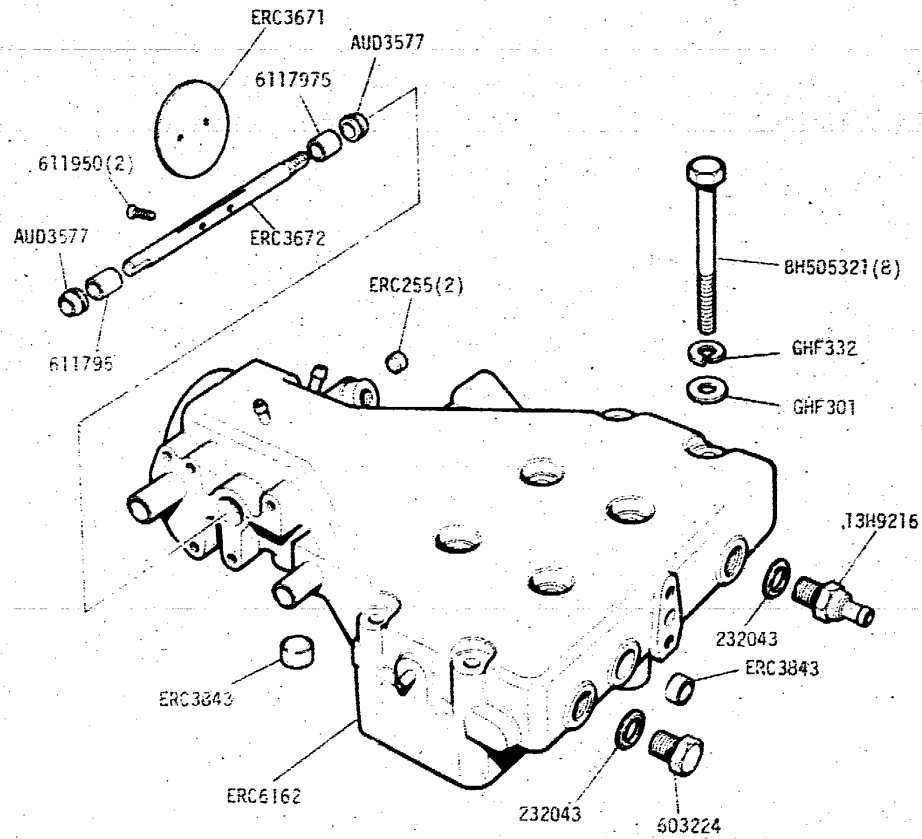
Introduction **1B 2B**  
 Engine **1C**  
 Flywheel and Clutch **1D**  
 Gearbox and Propshaft **1E**  
 Axles, Suspension, Drive Shafts, Wheels **1F**

Steering **1G**  
 Brakes and Brake Controls **1H**  
 Fuel, Exhaust and Emission Systems **1I - J**  
 Cooling, Heating and Air Conditioning **1K**  
 Electrical, Washers-Wipers, Instruments **1L - M**

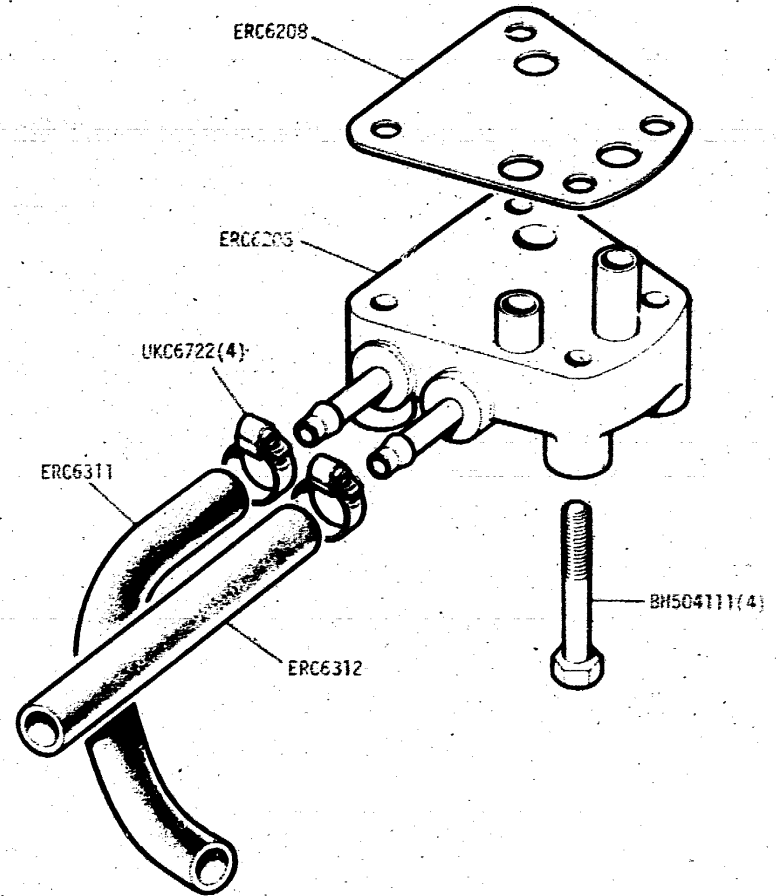
Chassis, Subframes, Bodyshell, Fittings **2C**  
 Fascia, Trim, Seats and Fixings **2D**  
 Miscellaneous **2E**  
 Numerical Index **2F**

**1107**

GROUP H  
FUEL SYSTEM - Plenum Chamber



GROUP H  
FUEL SYSTEM - Jacket Cover, Plenum Chamber



FR3 PI

11 03L

VS1826

TR8

11 C8R

VS1979

GROUP INDEX

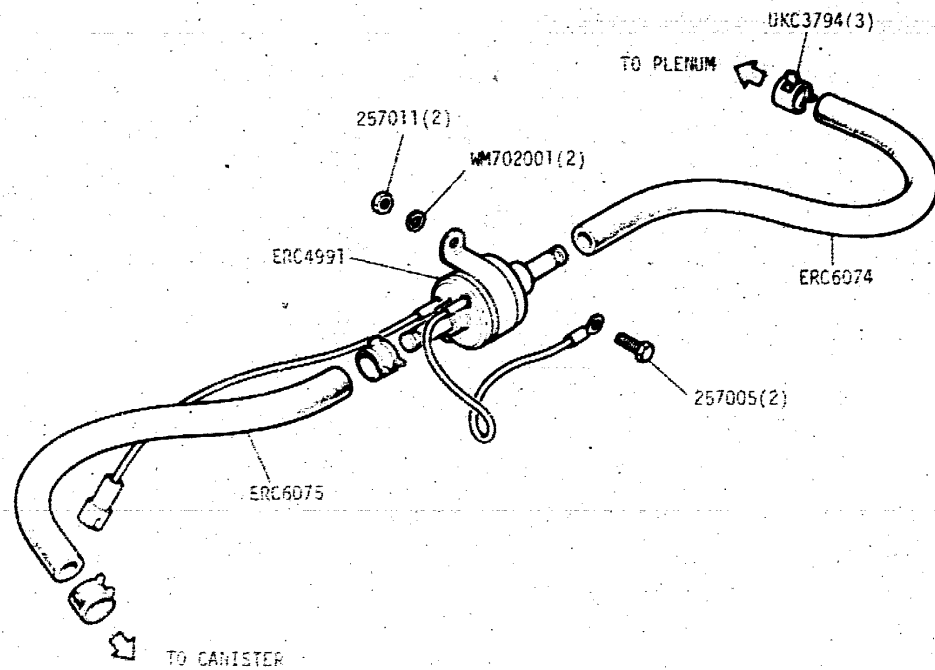
Introduction **1B 2B**  
 Engine **1C**  
 Flywheel and Clutch **1D**  
 Gearbox and Propshaft **1E**  
 Axles, Suspension, Drive Shafts, Wheels **1F**

Steering **1G**  
 Brakes and Brake Controls **1H**  
 Fuel, Exhaust and Emission Systems **1I - J**  
 Cooling, Heating and Air Conditioning **1K**  
 Electrical, Washers-Wipers, Instruments **1L - M**

Chassis, Subframes, Bodyshell, Fittings **2C**  
 Fascia, Trim, Seats and Fixings **2D**  
 Miscellaneous **2E**  
 Numerical Index **2F**

**1108**

GROUP H  
FUEL SYSTEM Solenoid Valve

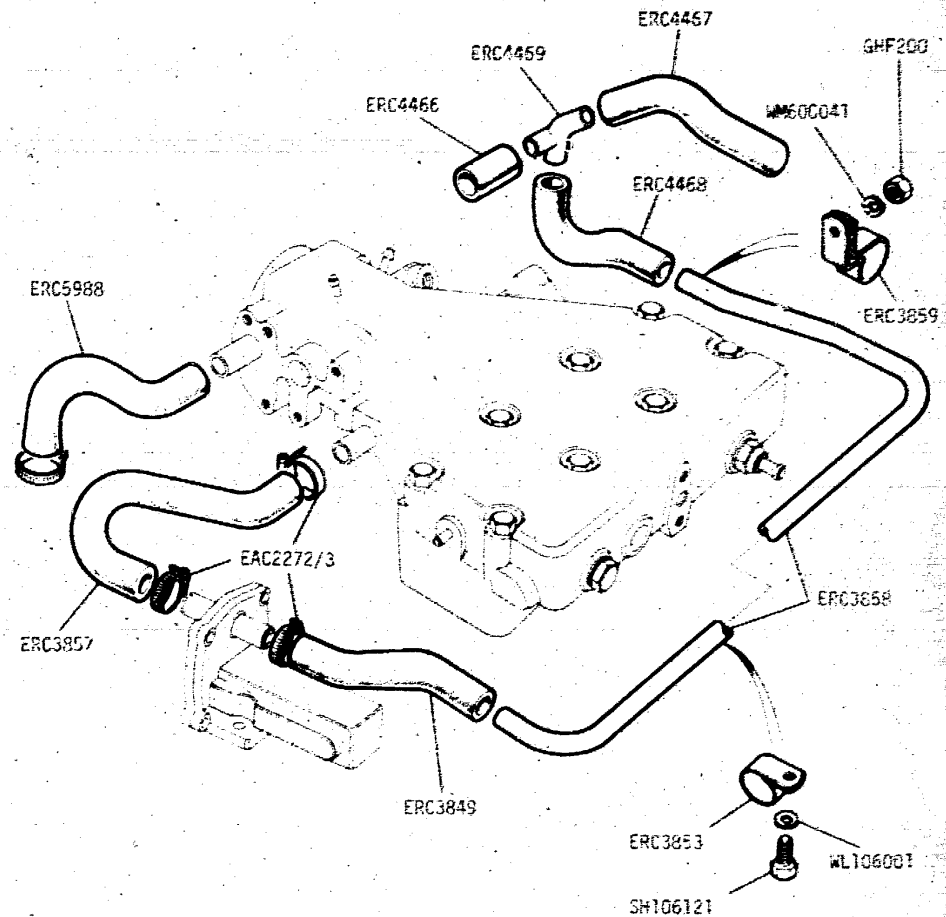


TRC

11 09L

VS1978

GROUP H  
FUEL SYSTEM - PLENUM HOSES



TRB

11 09R

VS1982

GROUP INDEX

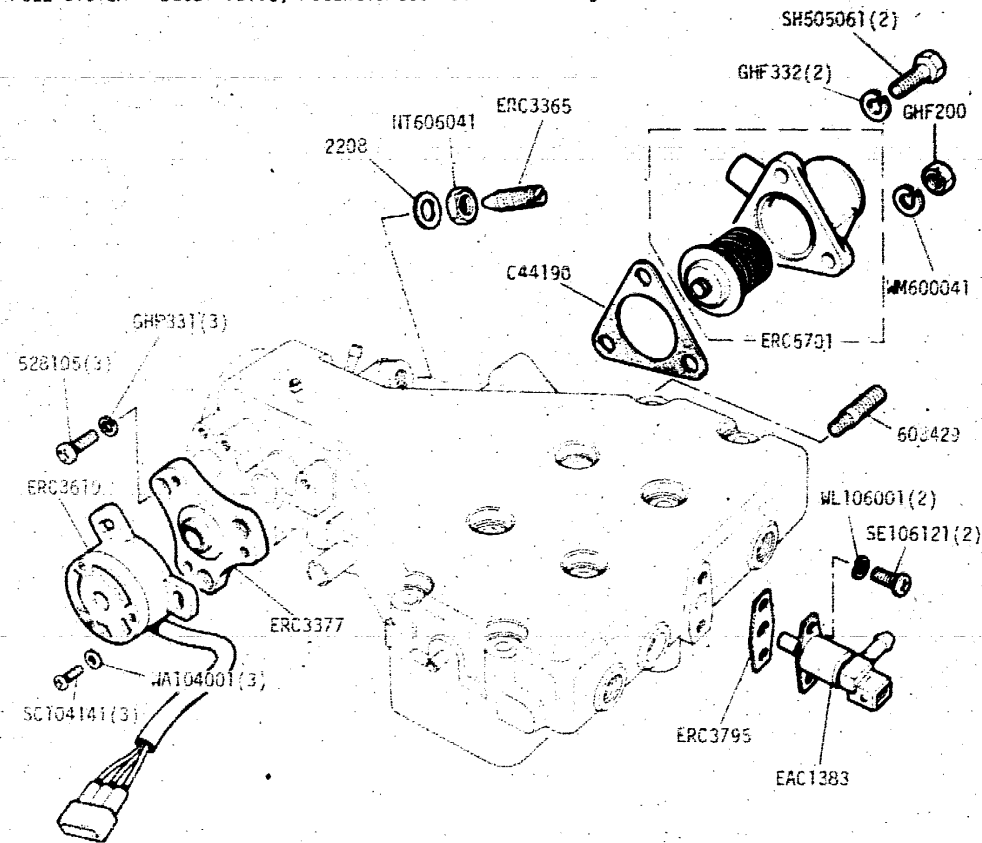
Introduction	<b>1B 2B</b>	Steering	<b>1G</b>
Engine	<b>1C</b>	Brakes and Brake Controls	<b>1H</b>
Flywheel and Clutch	<b>1D</b>	Fuel, Exhaust and Emission Systems	<b>1I - J</b>
Gearbox and Propshaft	<b>1E</b>	Cooling, Heating and Air Conditioning	<b>1K</b>
Axles, Suspension, Drive Shafts, Wheels	<b>1F</b>	Electrical, Washers-Wipers, Instruments	<b>1L-1N</b>

Chassis, Suoframes, Bodysell, Fittings	<b>2C</b>
Fascia, Trim, Seats and Fixings	<b>2D</b>
Miscellaneous	<b>2E</b>
Numerical Index	<b>2F</b>

**1109**



GROUP H  
FUEL SYSTEM - Decal Valve, Potentiometer Cold Start Injector

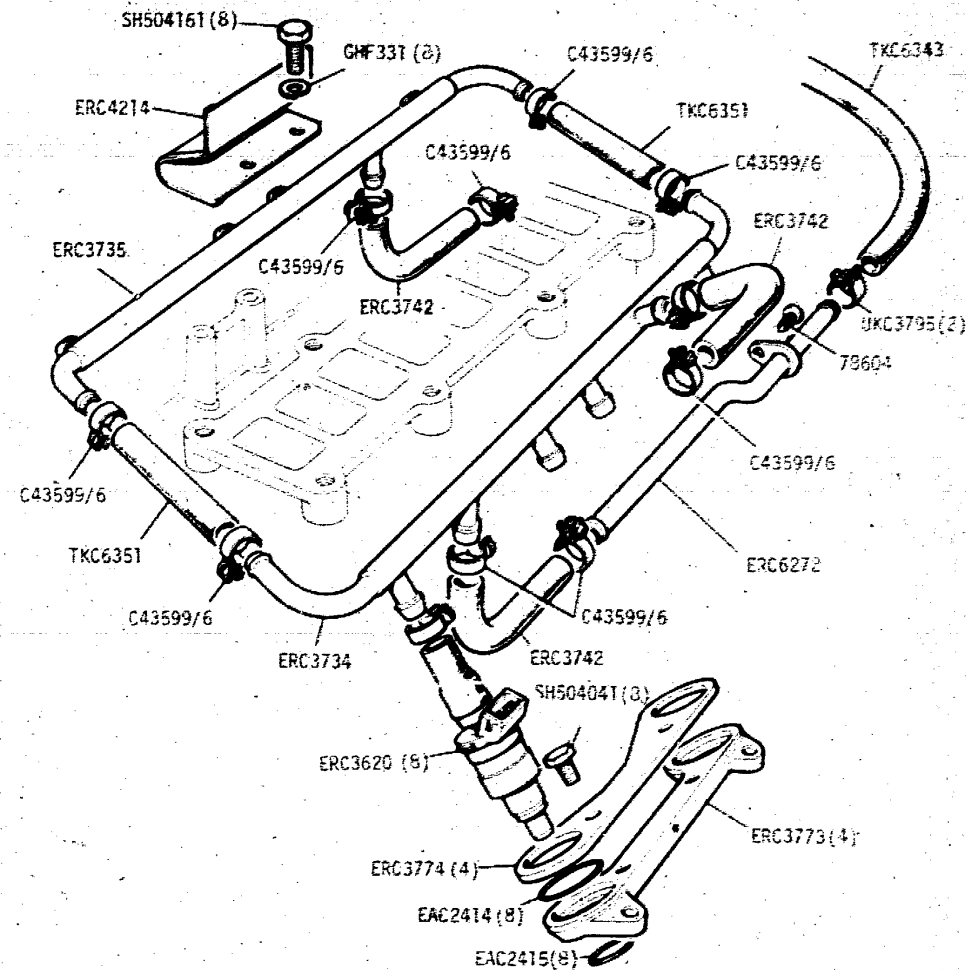


TR8 PI

11 10L

VS1825

GROUP H  
FUEL SYSTEM - Fuel Rail & Injectors PI



TR8

11 10R

VS1858

GROUP INDEX

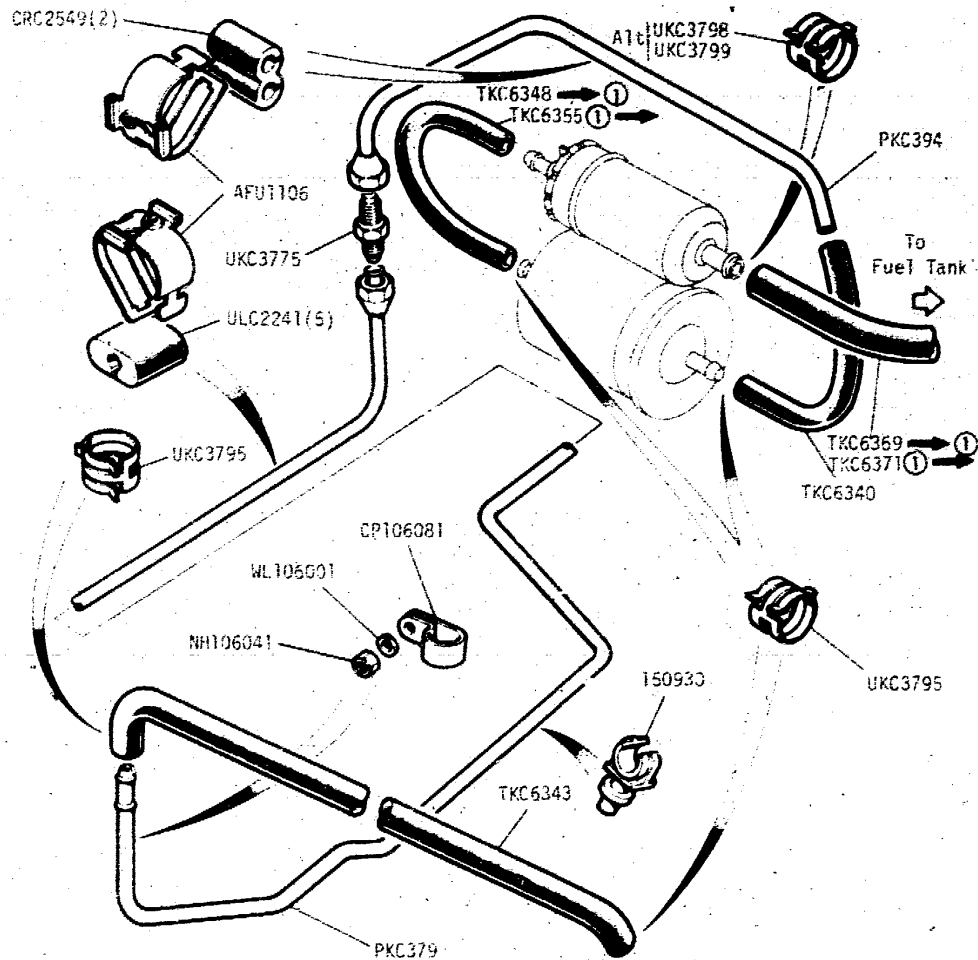
Introduction **1B 2B**  
 Engine **1C**  
 Flywheel and Clutch **1D**  
 Gearbox and Propshaft **1E**  
 Axles, Suspension, Drive Shafts, Wheels **1F**

Steering **1G**  
 Brakes and Brake Controls **1H**  
 Fuel, Exhaust and Emission Systems **1I - J**  
 Cooling, Heating and Air Conditioning **1K**  
 Electrical, Washers-Wipers, Instruments **1L - M**

Chassis, Subframes, Bodysheils, Fittings **2C**  
 Fascia, Trim, Seats and Fixings **2D**  
 Miscellaneous **2E**  
 Numerical Index **2F**

**1110**

GROUP H  
FUEL SYSTEM - Fuel Feed Pipes (Tank to Fuel Rail) P/I Engine



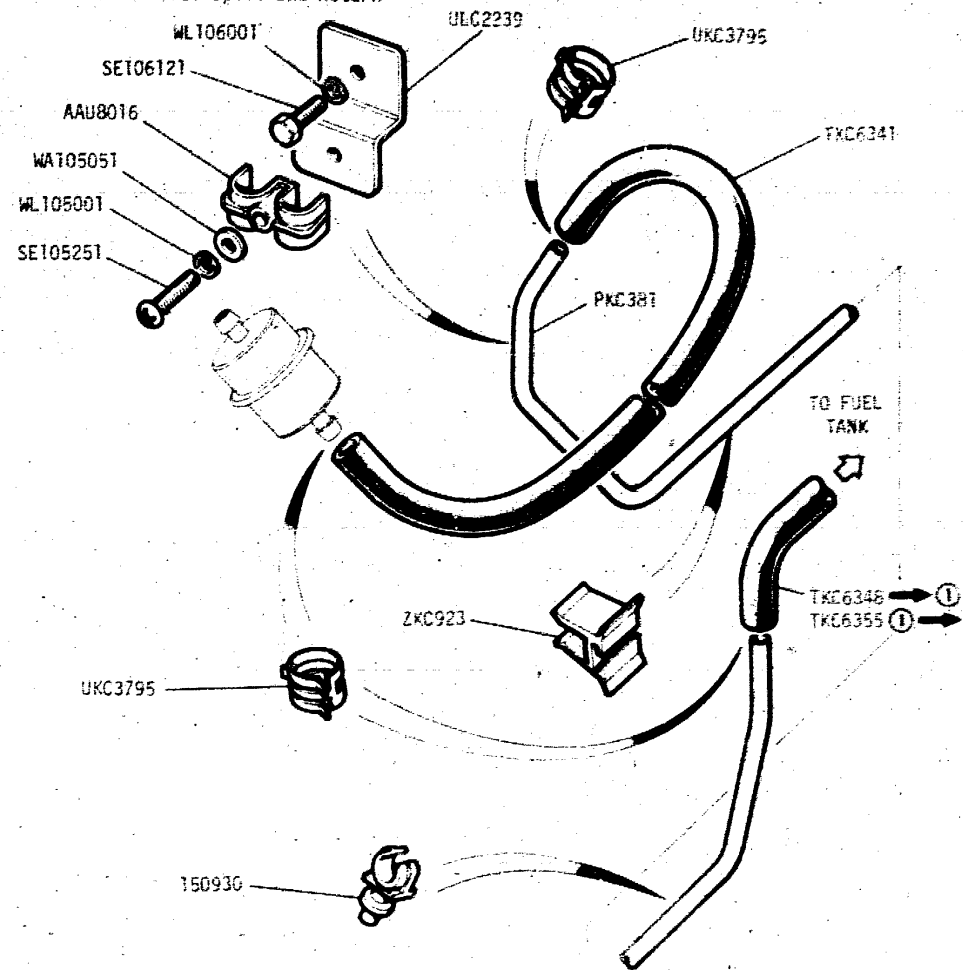
① VIN404879

TR2 P1

II 11L

VS1959

GROUP H  
FUEL SYSTEM - Fuel Spill and Return



① VIN404879

TR2 P1

II 11R

VS1806

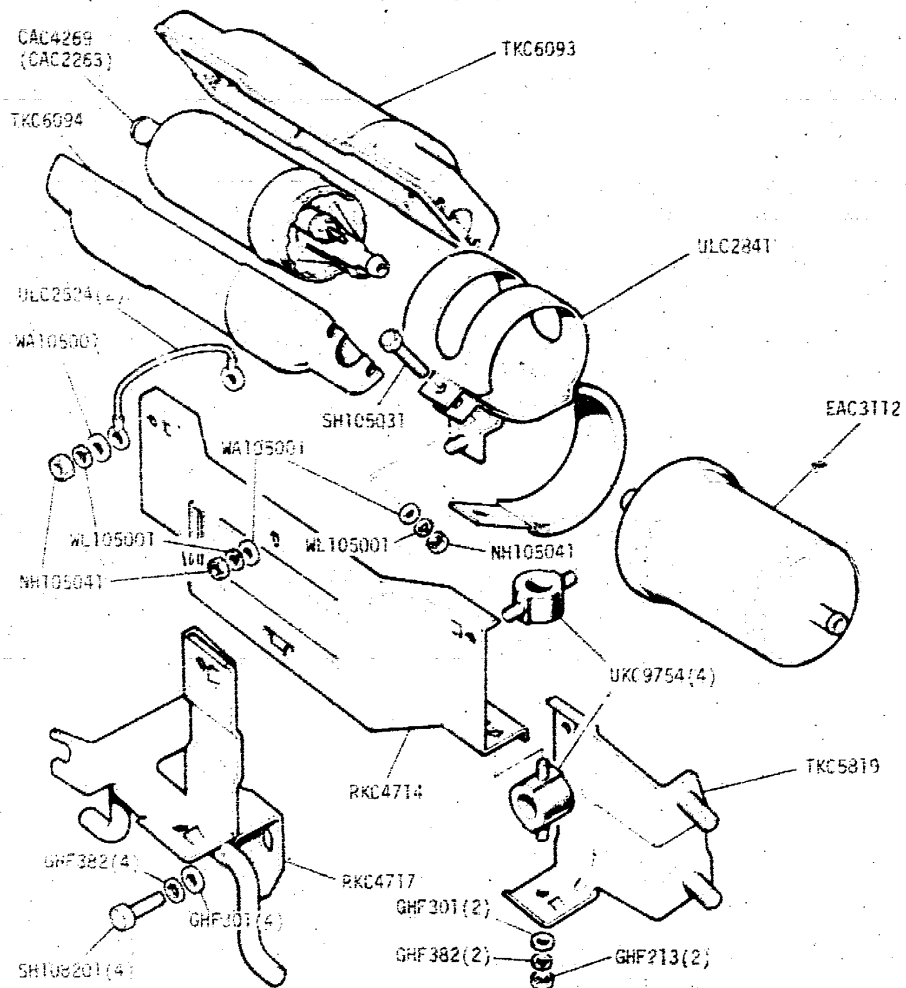
GROUP INDEX

Introduction	<b>1B 2B</b>	Steering	<b>1G</b>
Engine	<b>1C</b>	Brakes and Brake Controls	<b>1H</b>
Flywheel and Clutch	<b>1D</b>	Fuel, Exhaust and Emission Systems	<b>1I - J</b>
Gearbox and Propshaft	<b>1E</b>	Cooling, Heating and Air Conditioning	<b>1K</b>
Axles, Suspension, Drive Shafts, Wheels	<b>1F</b>	Electrical, Washers-Wipers, Instruments	<b>1L - M</b>

Chassis, Subframes, Bodyshell, Fittings	<b>2C</b>
Fascia, Trim, Seats and Fixings	<b>2D</b>
Miscellaneous	<b>2E</b>
Numerical Index	<b>2F</b>

**1111**

GROUP H  
FUEL SYSTEM - Fuel Pump and Filter(P/I Engine)

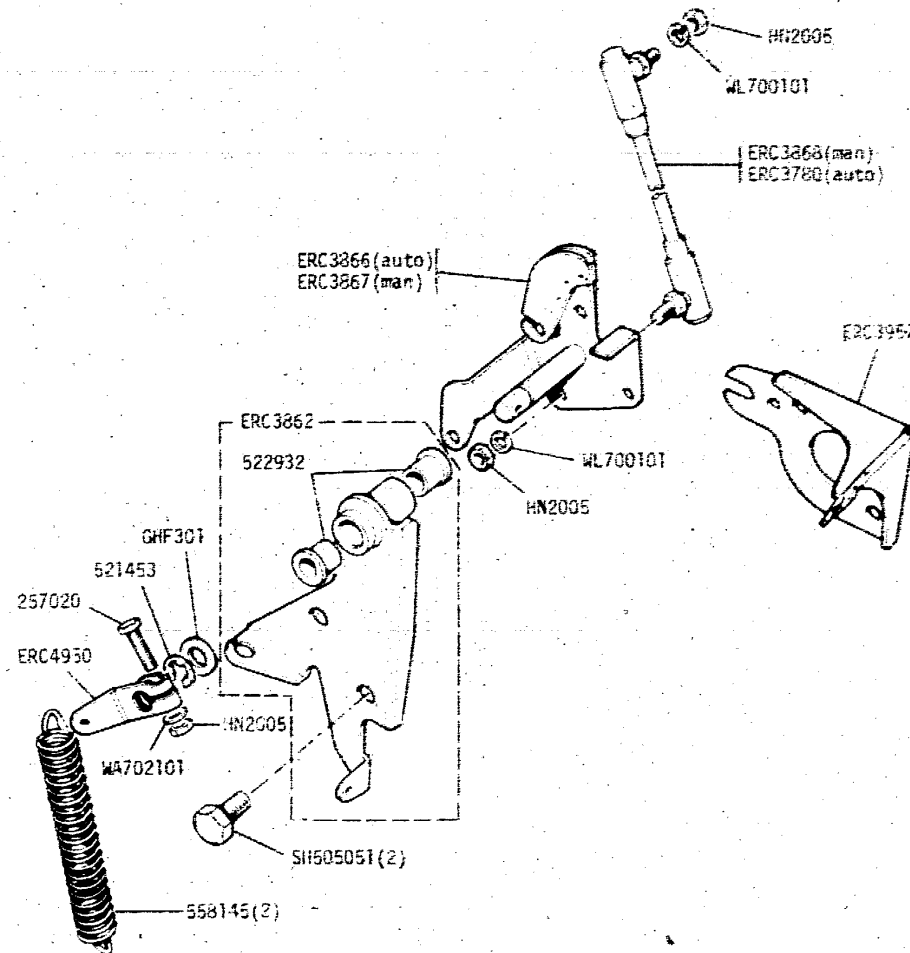


FR8 P1

11 12L

VS1625

GROUP H  
FUEL SYSTEM - Throttle Linkage PI



TR8

11 12P

VS1956

GROUP INDEX

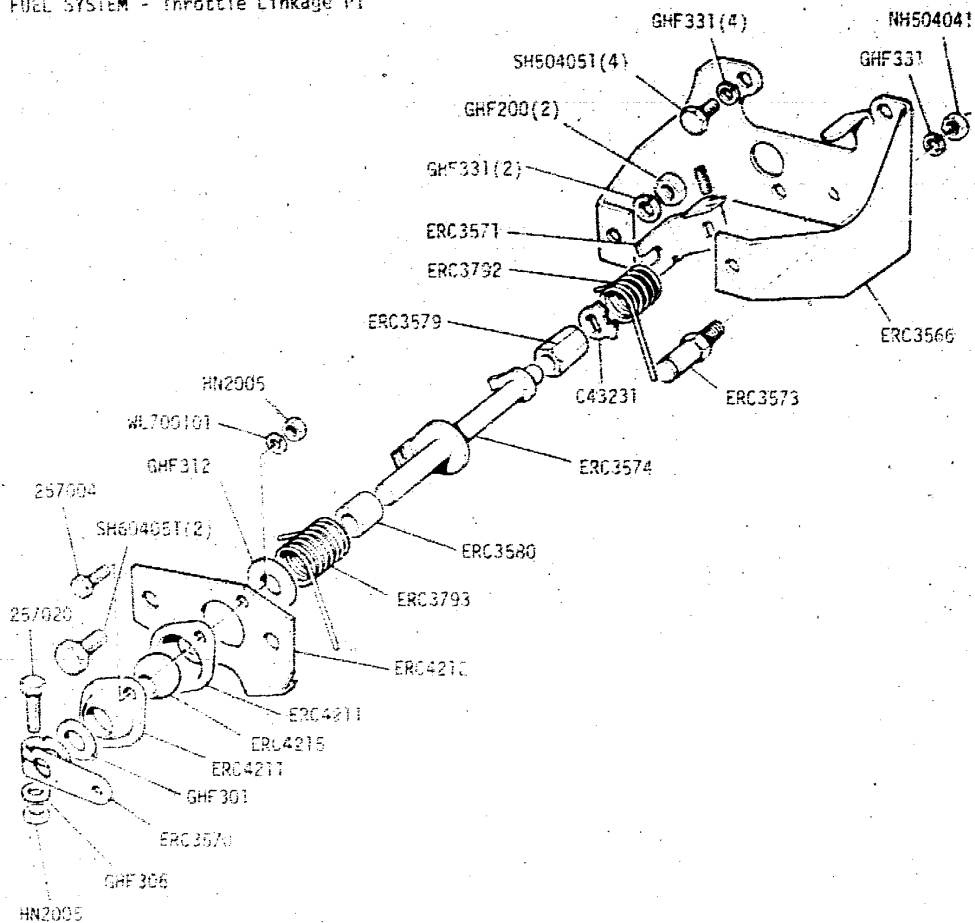
Introduction **1B 2B**  
 Engine **1C**  
 Flywheel and Clutch **1D**  
 Gearbox and Propshaft **1E**  
 Axles, Suspension, Drive Shafts, Wheels **1F**

Steering **1G**  
 Brakes and Brake Controls **1H**  
 Fuel, Exhaust and Emission Systems **1I - J**  
 Cooling, Heating and Air Conditioning **1K**  
 Electrical, Washers-Wipers, Instruments **1L - M**

Chassis, Subframes, Bodyshell, Fittings **2C**  
 Fascia, Trim, Seats and Fixings **2D**  
 Miscellaneous **2E**  
 Numerical Index **2F**

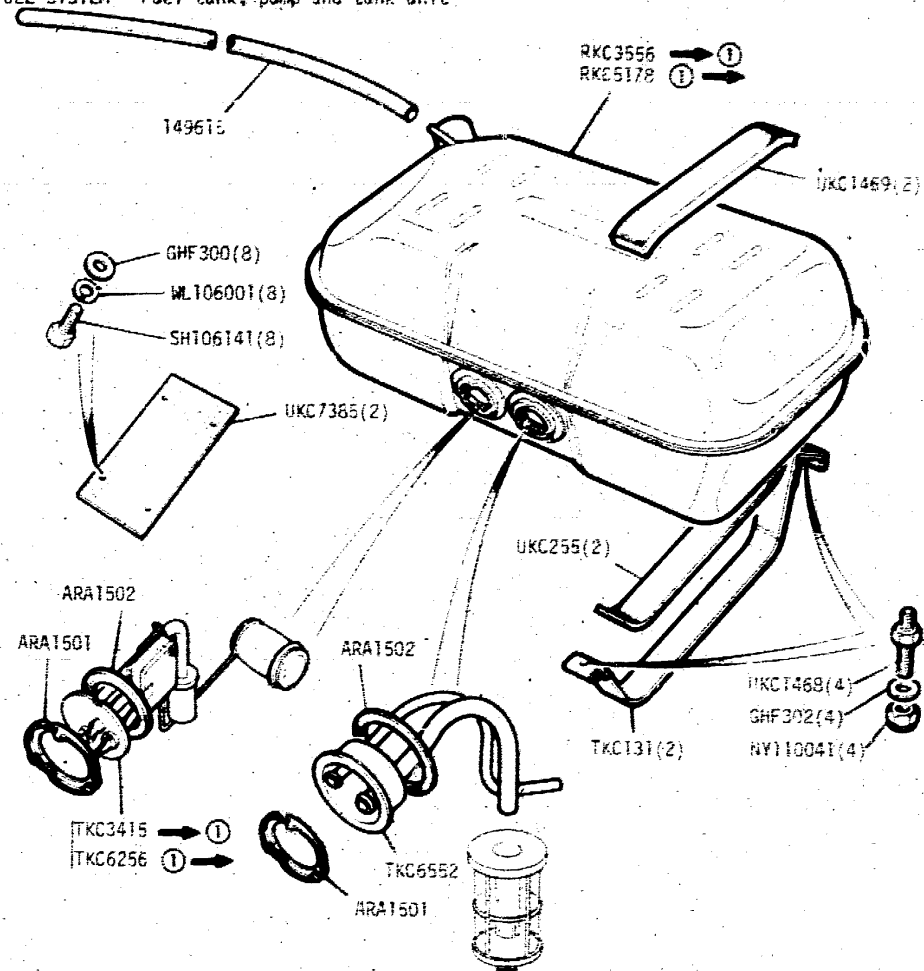
**1112**

GROUP H  
FUEL SYSTEM - Throttle Linkage P.I.



TR3  
11 13L  
VS1957

GROUP H  
FUEL SYSTEM - Fuel tank, pump and tank unit



TR8 P.I.  
11 13R  
VS3326  
① VIN404879

GROUP INDEX

Introduction **1B 2B**  
 Engine **1C**  
 Flywheel and Clutch **1D**  
 Gearbox and Propshaft **1E**  
 Axles, Suspension, Drive Shafts, Wheels **1F**

Steering  
 Brakes and Brake Controls  
 Fuel, Exhaust and Emission Systems  
 Cooling, Heating and Air Conditioning  
 Electrical, Washers-Wipers, Instruments

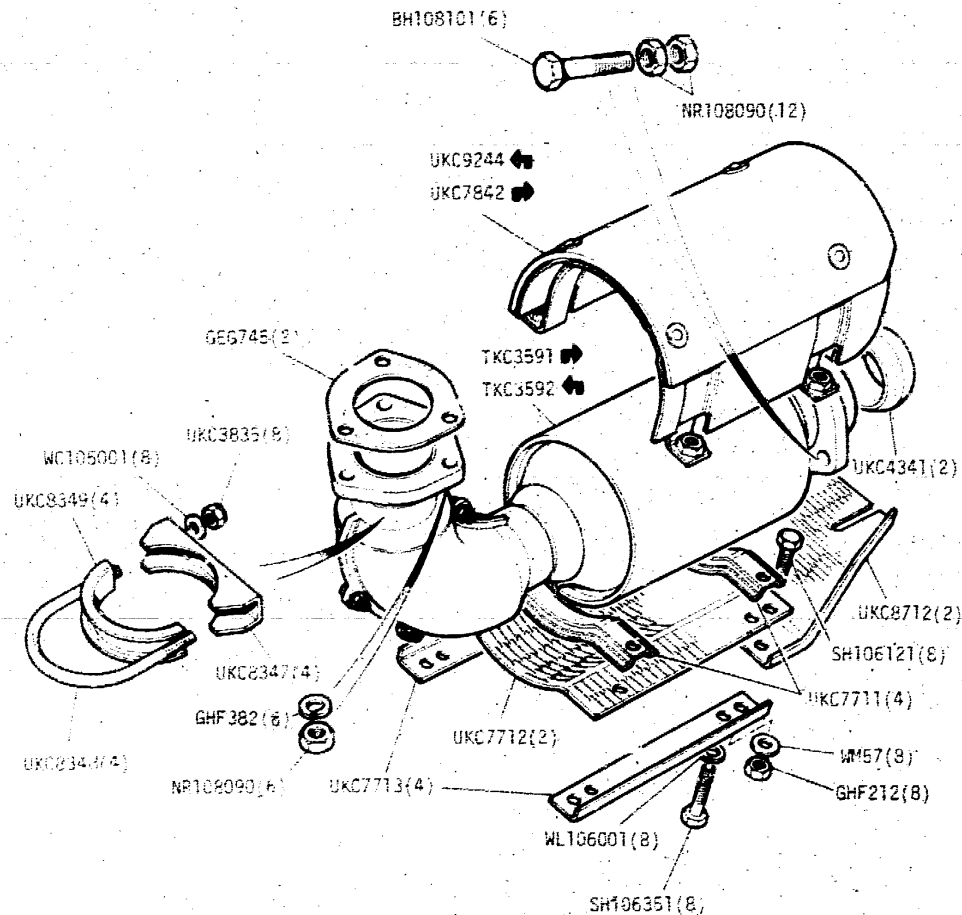
**1G**  
**1H**  
**1I - J**  
**1K**  
**1L - M**

Chassis, Subframes, Bodyshell, Fittings  
 Fascia, Trim, Seats and Fixings  
 Miscellaneous  
 Numerical Index

**2C**  
**2D**  
**2E**  
**2F**

**1113**

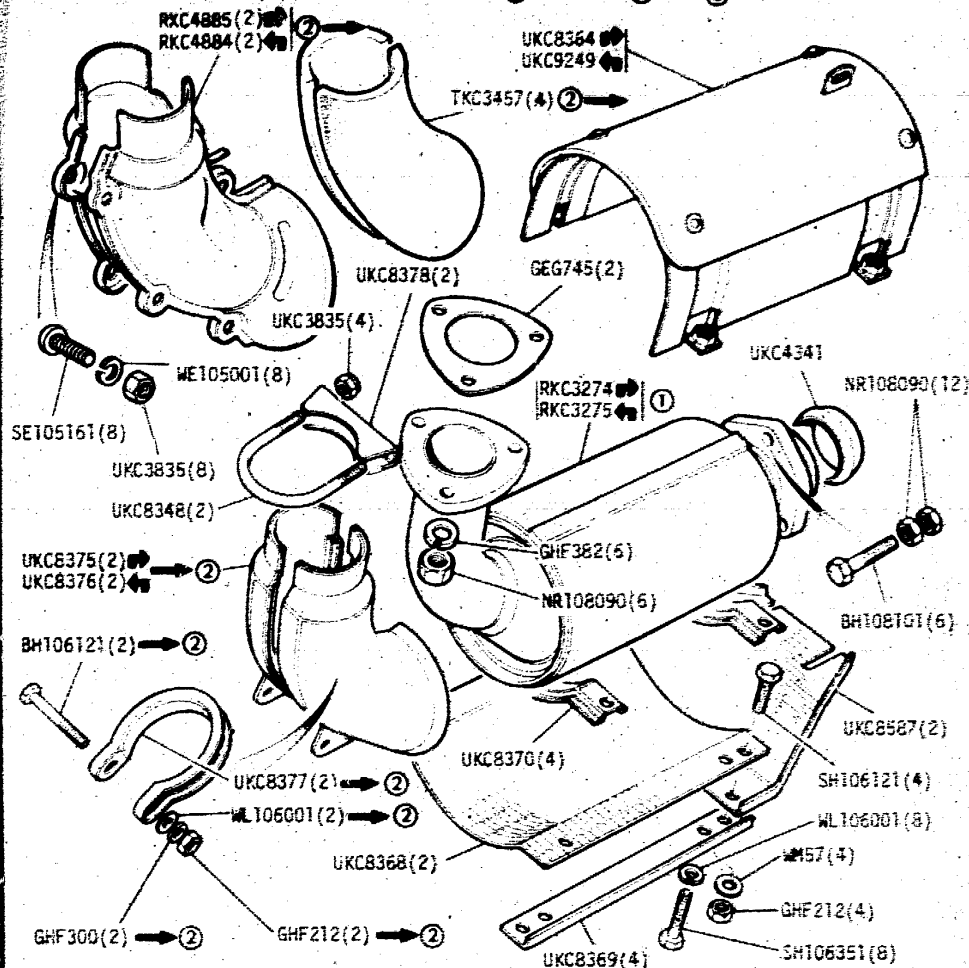
GROUP H  
EXHAUST SYSTEM - Front pipes (Federal) → ① CANADA ① → ②



- ① VIN 201308
- ② VIN 402000

TRE II T4L B7157/1

GROUP H  
EXHAUST SYSTEM - Front pipes - California → ② Federal ② → ③



- ① " These parts comply with California State Regulations when fitted on the vehicles to which this list applies.
- ② VIN 201308
- ③ VIN 402000

TRE II T4R B7159/1

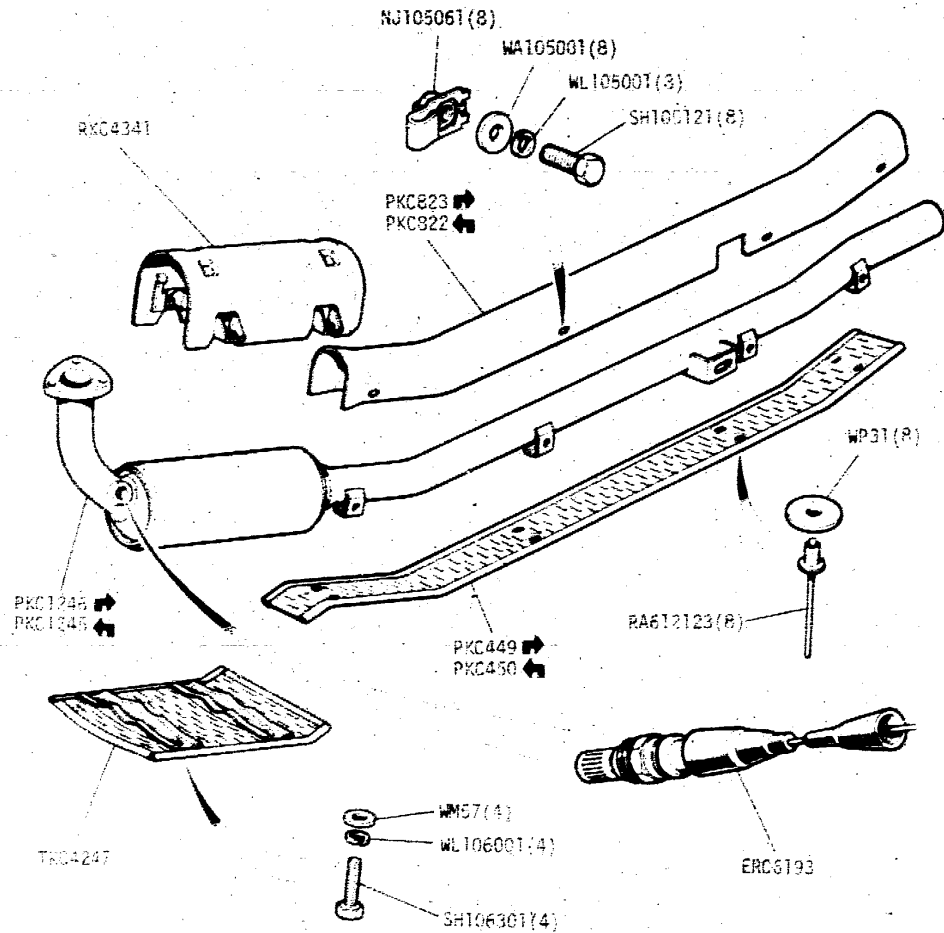
GROUP INDEX

Introduction **1B 2B**  
 Engine **1C**  
 Flywheel and Clutch **1D**  
 Gearbox and Propshaft **1E**  
 Axes, Suspension, Drive Shafts, Wheels **1F**

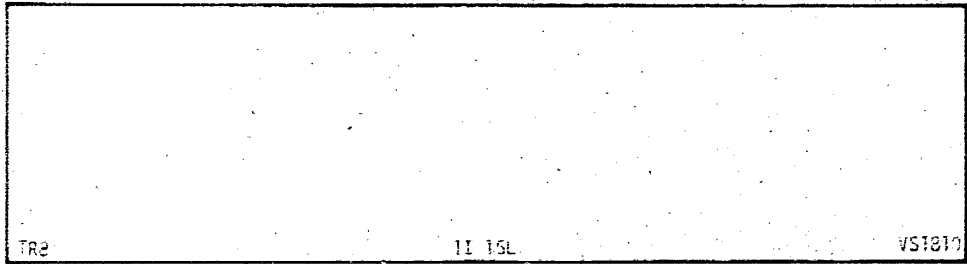
Steering **1G**  
 Brakes and Brake Controls **1H**  
 Fuel, Exhaust and Emission Systems **1I - J**  
 Cooling, Heating and Air Conditioning **1K**  
 Electrical, Washers-Wipers, Instruments **1L - M**

Chassis, Subframes, Bodyshell, Fittings **2C**  
 Fascia, Trim, Seats and Fixings **2D**  
 Miscellaneous **2E**  
 Numerical Index **2F**

**1114**



'NO ILLUSTRATION'



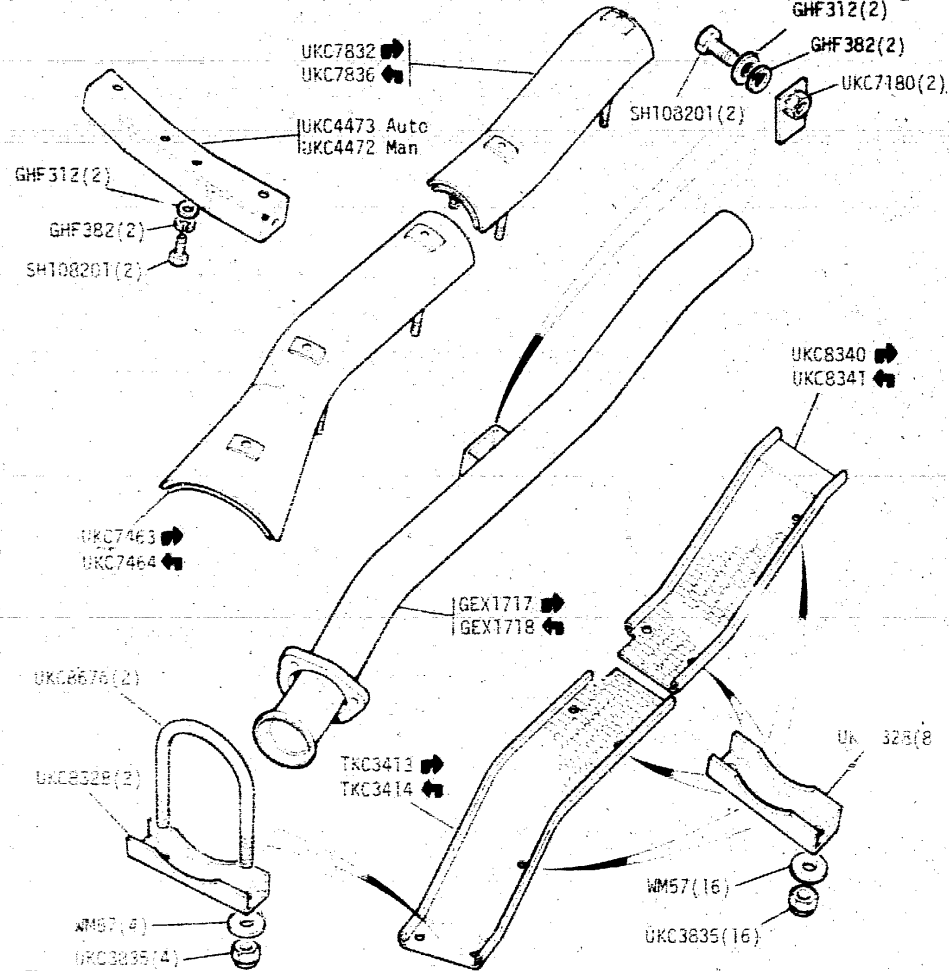
TR2 11 15L VS1810

GROUP INDEX

Introduction	<b>1B 2B</b>	Steering	<b>1G</b>	Chassis, Subframes, Bodysheet, Fittings	<b>2C</b>
Engine	<b>1C</b>	Brakes and Brake Controls	<b>1H</b>	Fascia, Trim, Seats and Fixings	<b>2D</b>
Flywheel and Clutch	<b>1D</b>	Fuel, Exhaust and Emission Systems	<b>1I - J</b>	Miscellaneous	<b>2E</b>
Gearbox and Propshaft	<b>1E</b>	Cooling, Heating and Air Conditioning	<b>1K</b>	Numerical Index	<b>2F</b>
Axles, Suspension, Drive Shafts, Wheels	<b>1F</b>	Electrical, Washers-Wipers, Instruments	<b>1L - M</b>		

**11 15**

GROUP H  
EXHAUST SYSTEM - Intermediate Exhaust Pipe (U.S.A. Federal) → ①, CANADA ① → ②



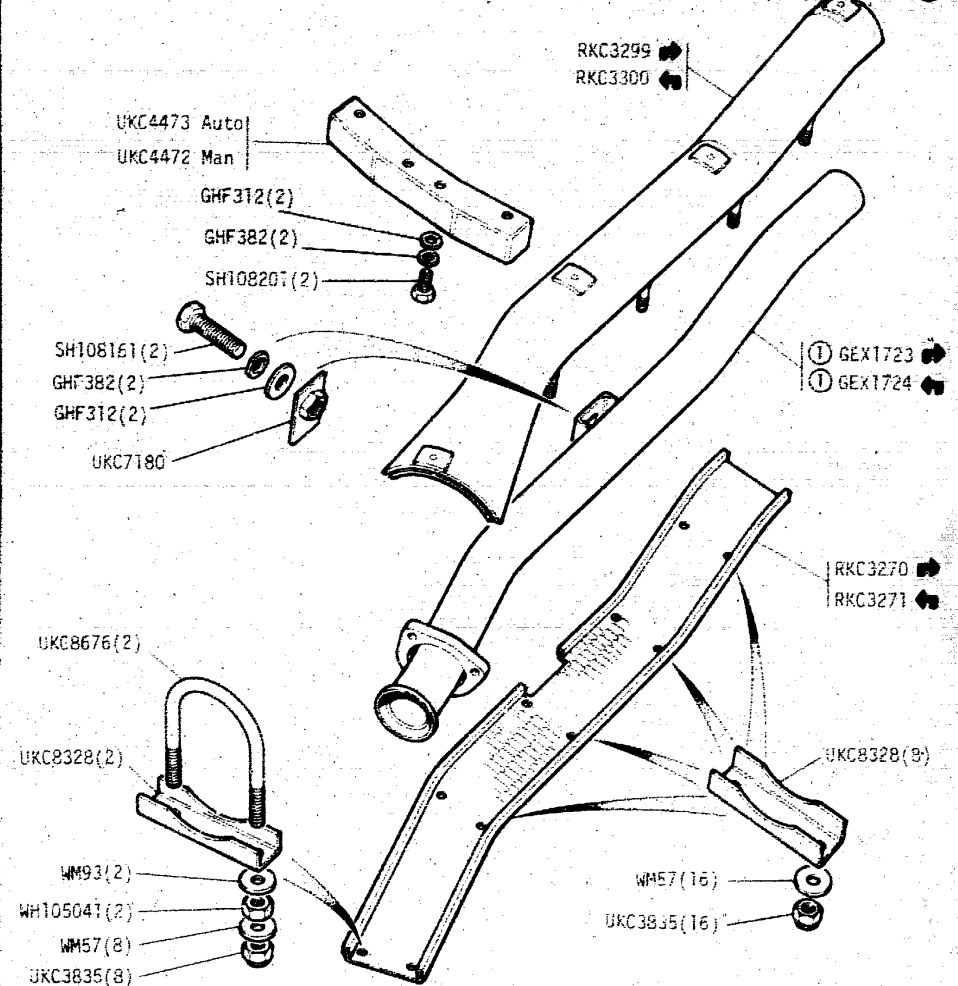
- ① VIN 201308
- ② VIN 402000

TR8

II 16L

87158

GROUP H  
EXHAUST SYSTEM - Intermediate Exhaust Pipe (U.S.A. California) → ② Federal ② → ③



① "These parts comply with Californian State Regulations when fitted on the vehicles to which this list applies."

- ② VIN201308
- ③ VIN402000

TR8

II 16R

87168/1

GROUP INDEX

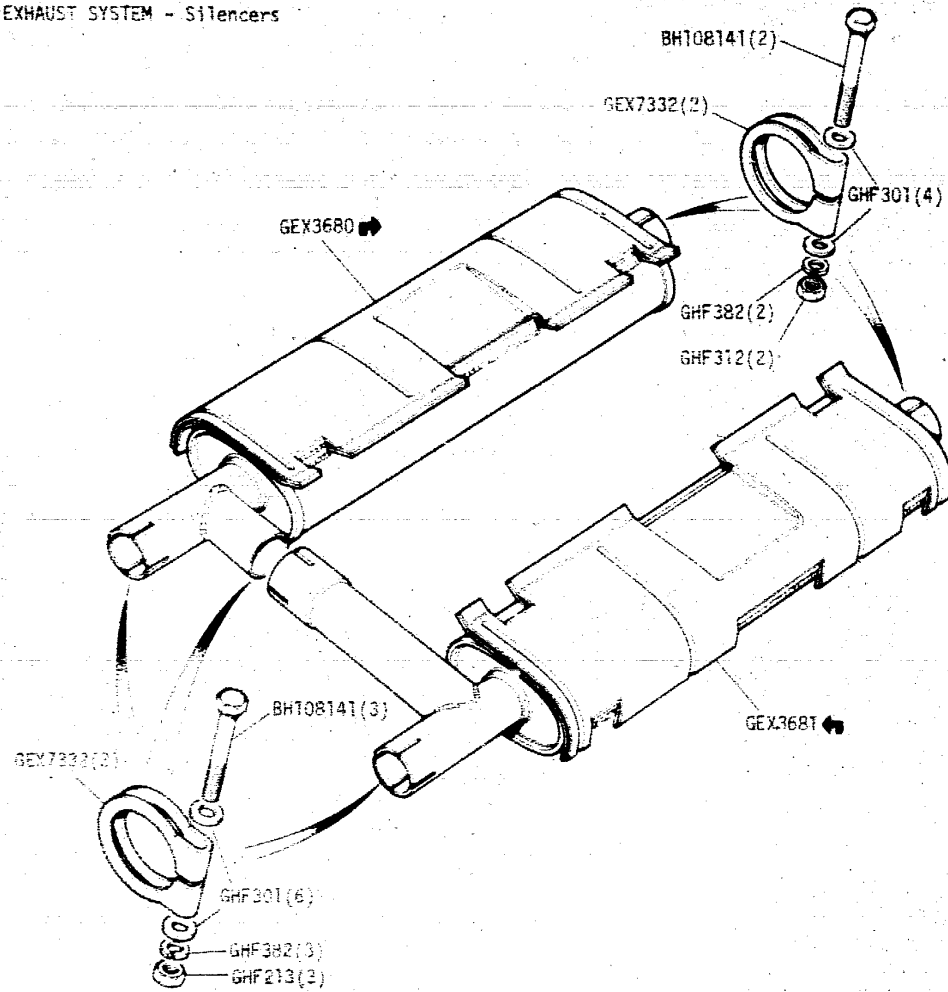
Introduction **1B 2B**  
 Engine **1C**  
 Flywheel and Clutch **1D**  
 Gearbox and Propshaft **1E**  
 Axles, Suspension, Drive Shafts, Wheels **1F**

Steering **1G**  
 Brakes and Brake Controls **1H**  
 Fuel, Exhaust and Emission Systems **1I-J**  
 Cooling, Heating and Air Conditioning **1K**  
 Electrical, Washers-Wipers, Instruments **1L-M**

Chassis, Subframes, Bodyshell, Fittings **2C**  
 Fascia, Trim, Seats and Fixings **2D**  
 Miscellaneous **2E**  
 Numerical Index **2F**

**1116**

GROUP H  
EXHAUST SYSTEM - Silencers

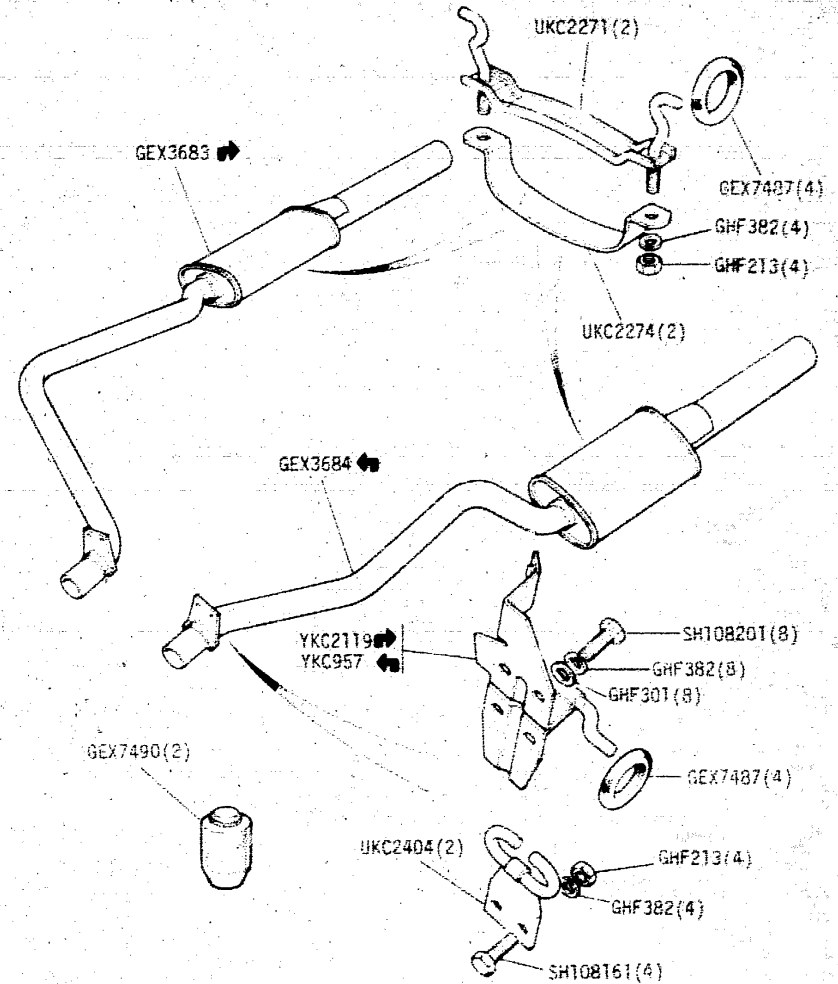


TR8

11 17L

B7161/1

GROUP H  
EXHAUST SYSTEM - Tailpipes



TR8

11 17R

B7162/1

GROUP INDEX

Introduction  
Engine  
Flywheel and Clutch  
Gearbox and Propshaft  
Axes, Suspension, Drive Shafts, Wheels

**1B 2B**  
**1C**  
**1D**  
**1E**  
**1F**

Steering  
Brakes and Brake Controls  
Fuel, Exhaust and Emission Systems  
Cooling, Heating and Air Conditioning  
Electrical; Washers-Wipers, Instruments

**1G**  
**1H**  
**1I - J**  
**1K**  
**1L - M**

Chassis, Subframes, Bodyshell, Fittings  
Fascia, Trim, Seats and Fixings  
Miscellaneous  
Numerical Index

**2C**  
**2D**  
**2E**  
**2F**

**1117**

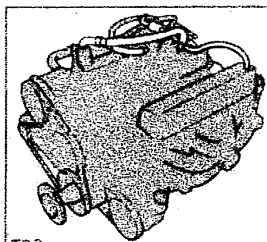
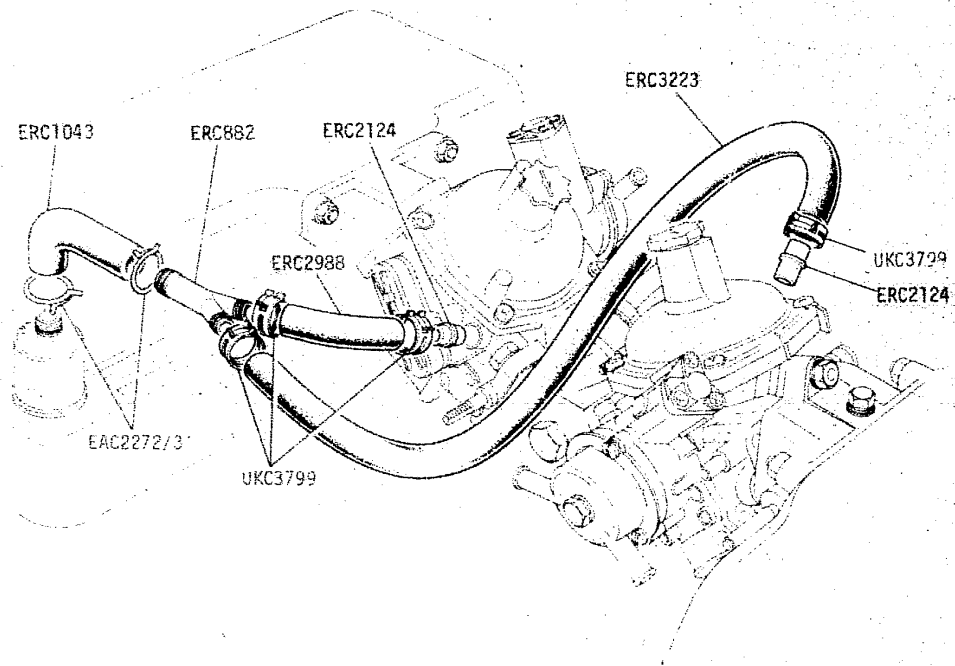


GROUP INDEX. TABLE DES SECTIONS. GRUPPENVERZEICHNIS.

<p><b>Group A</b> Introduction Introduction Einführung</p>	<p><b>1B 02</b> <b>2B 02</b></p>	<p><b>Group G</b> Brakes and Brake Controls Freins Et Commandes Bremsen und Bedienungsorgane</p>	<p><b>1H</b></p>
<p><b>Group A</b> Pictorial Index Table des Matieres illustrée Verzeichnis der Abbildungen</p>	<p><b>1B 08</b> <b>2B 08</b></p>	<p><b>Group H</b> Fuel, Exhaust, Emission Systems Systèmes d'alimentation en carburant, d'échappement et d'anti-pollution Kraftstoff-, Auspuff- und Abgasentgiftungsanlagen</p>	<p><b>1I - J</b></p>
<p><b>Group A</b> Alphabetical Index Table alphabétique Alphabetisches Verzeichnis</p>	<p><b>1B 10</b> <b>2B 10</b></p>	<p><b>Group J</b> Cooling, Heating and Air Conditioning Refroidissement, Chauffage, Aeration Kühlung, Heizung, Lüftung</p>	<p><b>1K</b></p>
<p><b>Group B</b> Engine Moteur Motor</p>	<p><b>1C</b></p>	<p><b>Group K</b> Electrical, Washers-Wipers, Instruments Electricité Essuie Glace, Instruments Elektrische, Scheibenwischer, Instrumente</p>	<p><b>1L - M</b></p>
<p><b>Group C</b> Flywheel and Clutch Volant Et Embravage Schwungrad und Kupplung</p>	<p><b>1D</b></p>	<p><b>Group L</b> Chassis, Subframes, Bodyshell, Fittings Chassis, Soubassement, Cabine Chassis Teile, Hilfsrahmen, Kabine</p>	<p><b>2C</b></p>
<p><b>Group D</b> Gearbox and Propshaft Boîte de Vitesses et Cardan Getriebe und Antriebswelle</p>	<p><b>1E</b></p>	<p><b>Group M</b> Fascia, Trim, Seats and Fixings Tableau de Bord, Garnitures Intérieure, Sièges Armaturenbrett, Polsterung und Sitz</p>	<p><b>2D</b></p>
<p><b>Group E</b> Axles, Suspension, Drive Shafts, Wheels Axe, Suspension, Arbre de Commande, Roues Achse, Aufhängung, Antriebswelle, Rad</p>	<p><b>1F</b></p>	<p><b>Group N</b> Miscellaneous Divers Vermischt</p>	<p><b>2E</b></p>
<p><b>Group F</b> Steering Direction Lenkung</p>	<p><b>1G</b></p>	<p><b>Group P</b> Numerical Index Index Numérique Nummernverzeichnis</p>	<p><b>2F</b></p>

**1J01**

GROUP H  
EMISSION - Engine Breathing

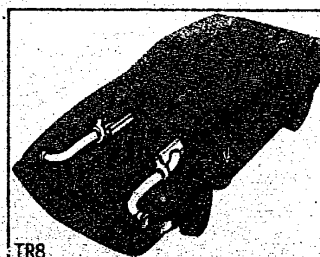
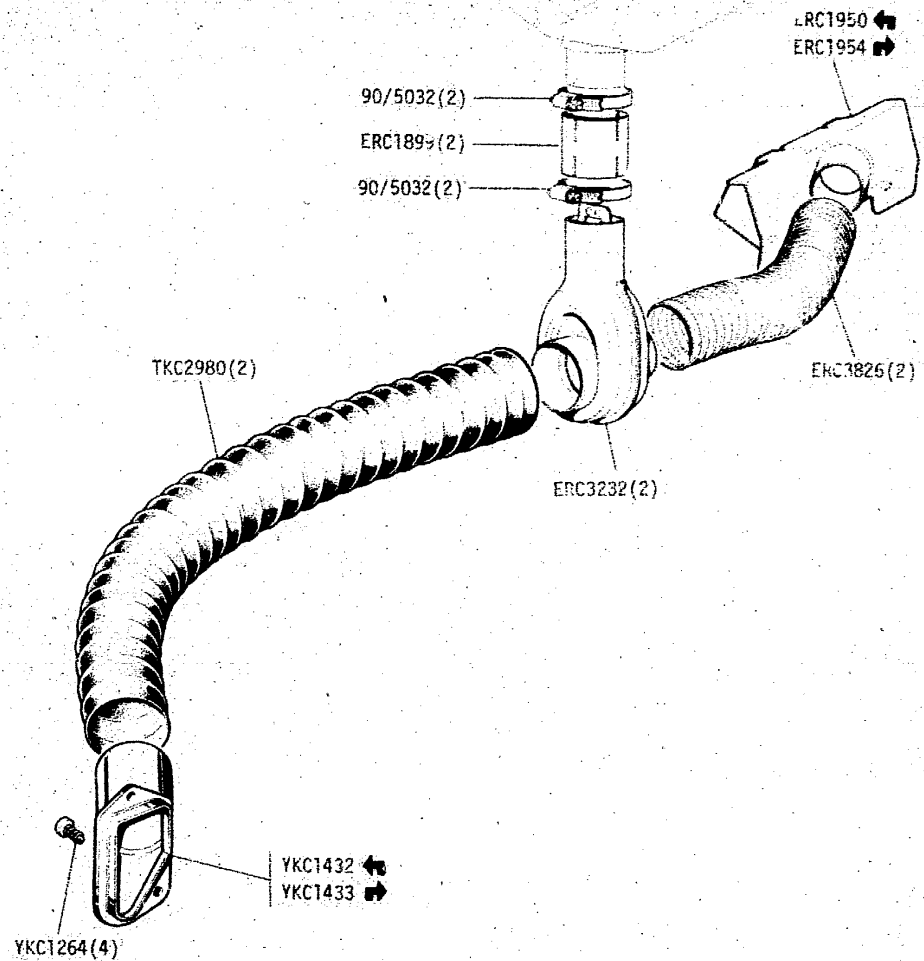


TR8

1J 02L

B6655/1

GROUP H  
EMISSION - Air Temperature Control Unit, Manifold Shield



TR8

1J 02R

B7019/1

GROUP INDEX

Introduction  
Engine  
Flywheel and Clutch  
Gearbox and Propshaft  
Axles, Suspension, Drive Shafts, Wheels

**1B 2B**  
**1C**  
**1D**  
**1E**  
**1F**

Steering  
Brakes and Brake Controls  
Fuel, Exhaust and Emission Systems  
Cooling, Heating and Air Conditioning  
Electrical, Washers-Wipers, Instruments

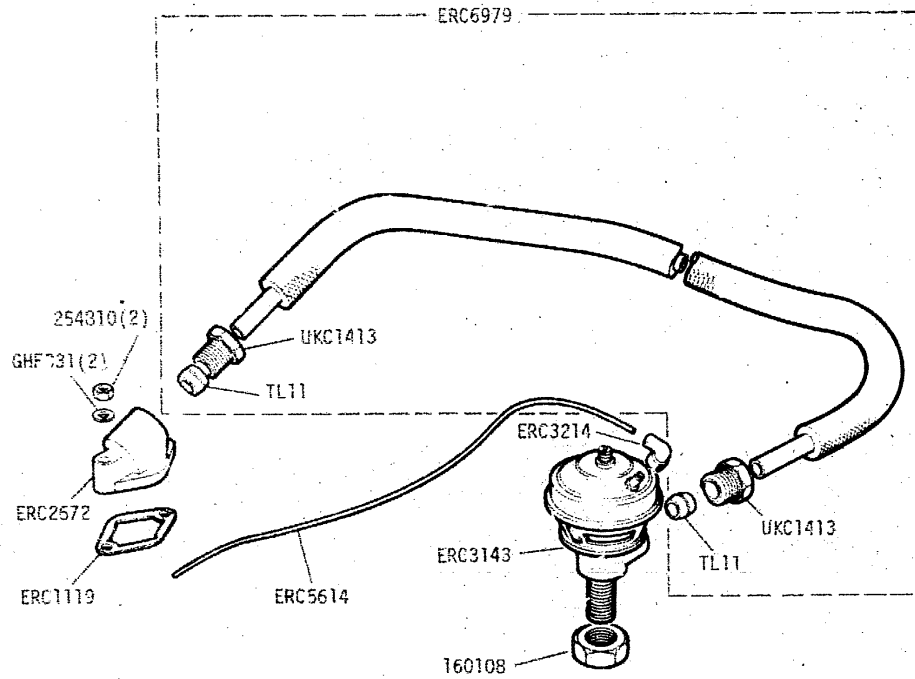
**1G**  
**1H**  
**1I - J**  
**1K**  
**1L-M**

Chassis, Subframes, Bodyshell, Fittings  
Fascia, Trim, Seats and Fixings  
Miscellaneous  
Numerical Index

**2C**  
**2D**  
**2E**  
**2F**

**1J 02**

GROUP I  
EMISSION - E.G.R. Valve, Pipe and Adaptor - CARB

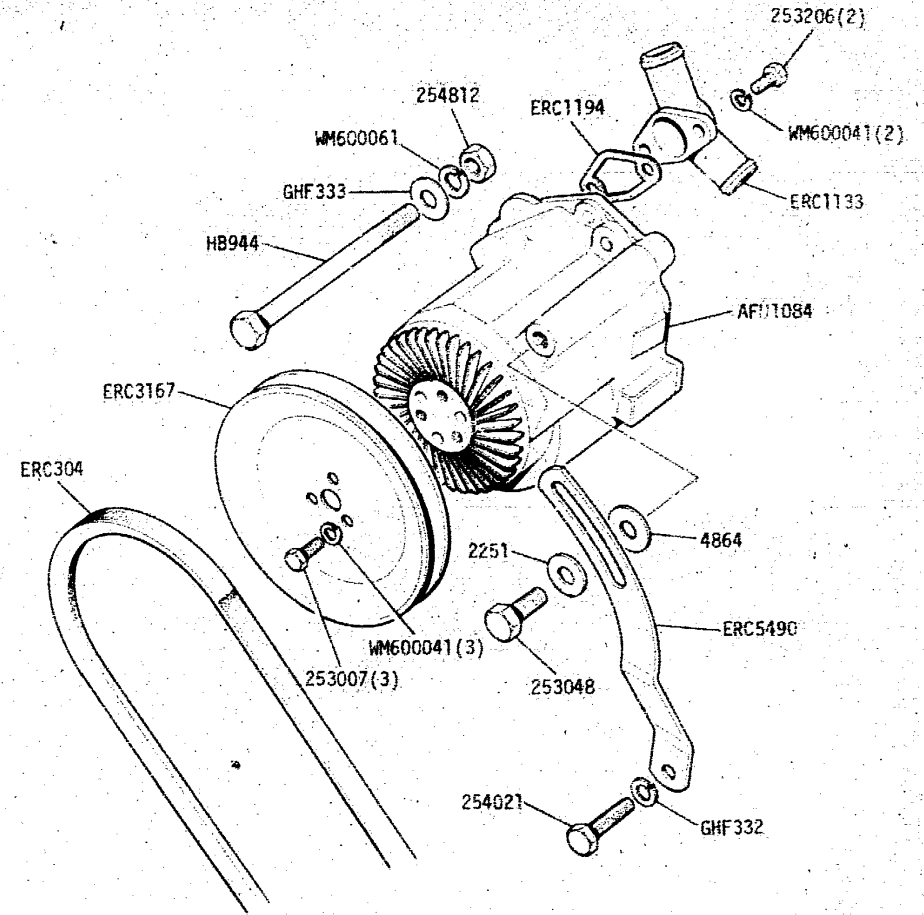


TR8 CARB

1J 03L

VS1505

GROUP H  
EMISSION - Air Pump and Driving Belt



TR8

1J 03R

86562/1

GROUP INDEX

Introduction **1B 2B**  
 Engine **1C**  
 Flywheel and Clutch **1D**  
 Gearbox and Propshaft **1E**  
 Axles, Suspension, Drive Shafts, Wheels **1F**

Steering  
 Brakes and Brake Controls  
 Fuel, Exhaust and Emission Systems  
 Cooling, Heating and Air Conditioning  
 Electrical, Washers-Wipers, Instruments

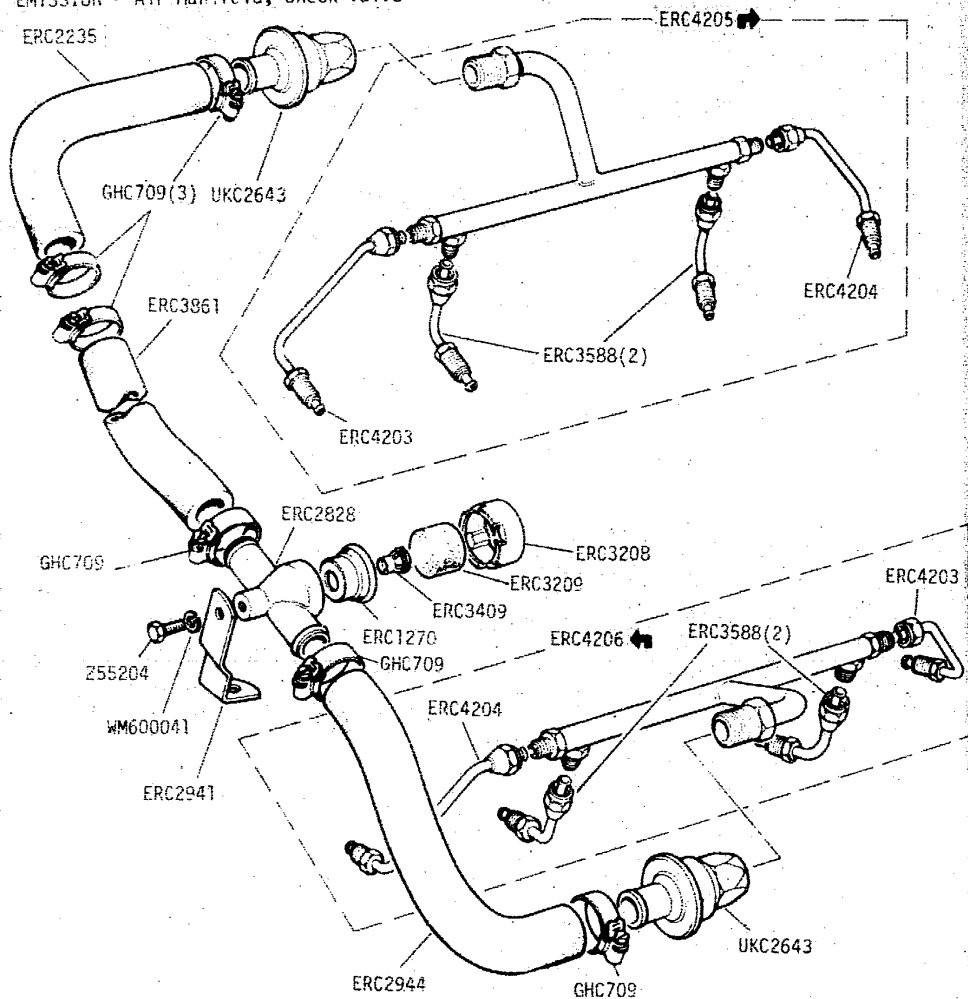
**1G**  
**1H**  
**1I - J**  
**1K**  
**1L - M**

Chassis, Subframes, Bodysheell, Fittings  
 Fascia, Trim, Seats and Fixings  
 Miscellaneous  
 Numerical Index

**2C**  
**2D**  
**2E**  
**2F**

**1J03**

GROUP H  
EMISSION - Air Manifold, Check Valve

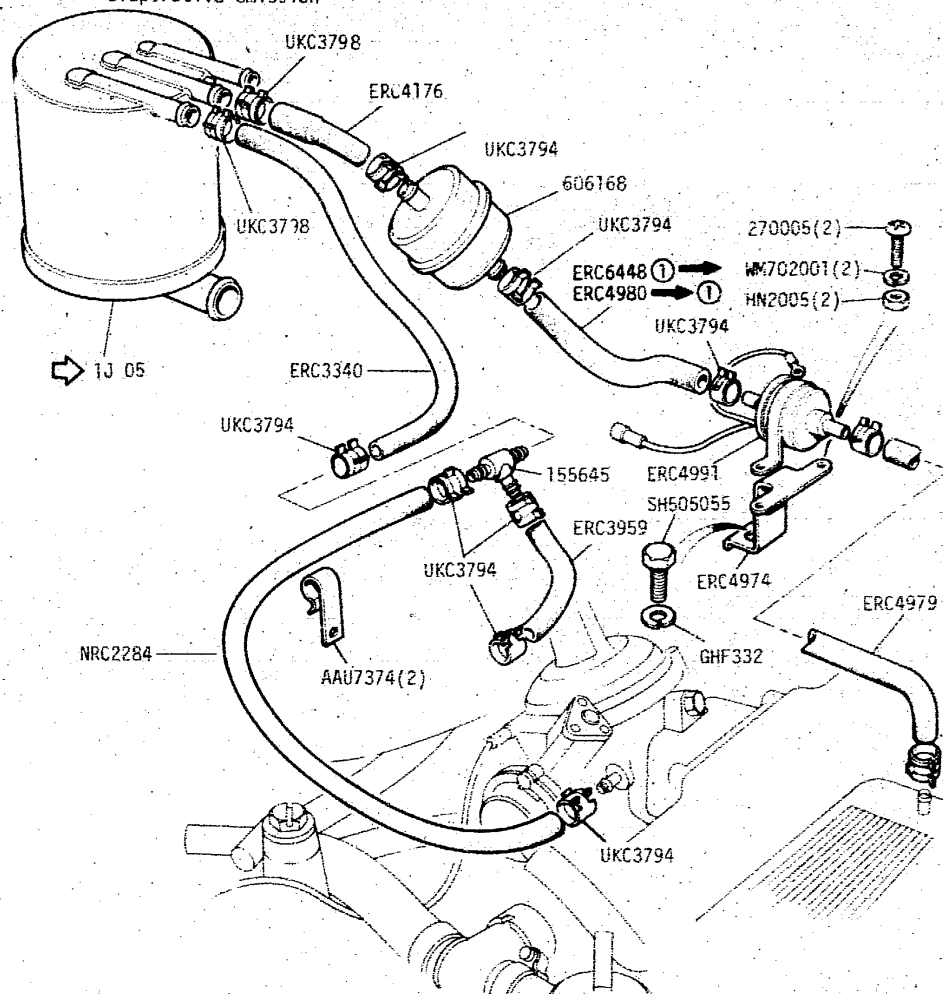


TR8

1J 04L

B7097/1

GROUP H  
EMISSION - Evaporative emission



- ① ENGINE No. 10E 00605  
11E 00514  
12E 01375  
13E 00701

TR8

1J 04R

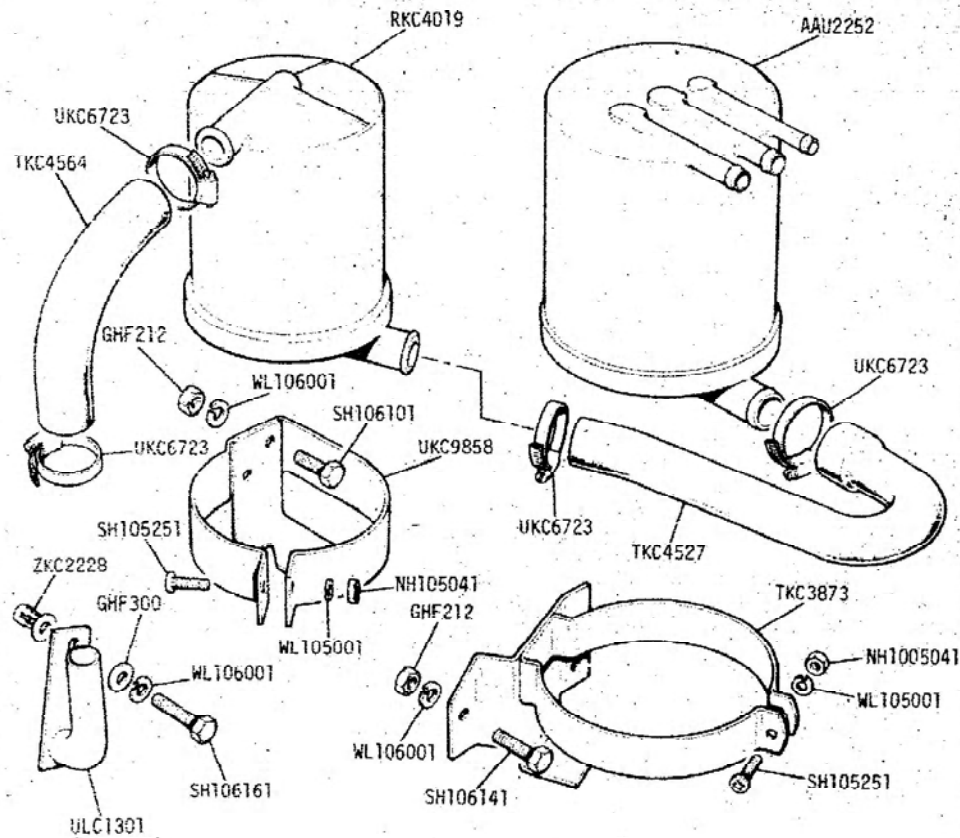
B7100/2

GROUP INDEX

Introduction	<b>1B 2B</b>	Steering	<b>1G</b>	Chassis, Subframes, Bodyshell, Fittings	<b>2C</b>
Engine	<b>1C</b>	Brakes and Brake Controls	<b>1H</b>	Fascia, Trim, Seats and Fixings	<b>2D</b>
Flywheel and Clutch	<b>1D</b>	Fuel, Exhaust and Emission Systems	<b>1I - J</b>	Miscellaneous	<b>2E</b>
Gearbox and Propshaft	<b>1E</b>	Cooling, Heating and Air Conditioning	<b>1K</b>	Numerical Index	<b>2F</b>
Axles, Suspension, Drive Shafts, Wheels	<b>1F</b>	Electrical, Washers-Wipers, Instruments	<b>1L-M</b>		

**1J04**

GROUP H  
EMISSION - Charcoal Canisters → VII 201308

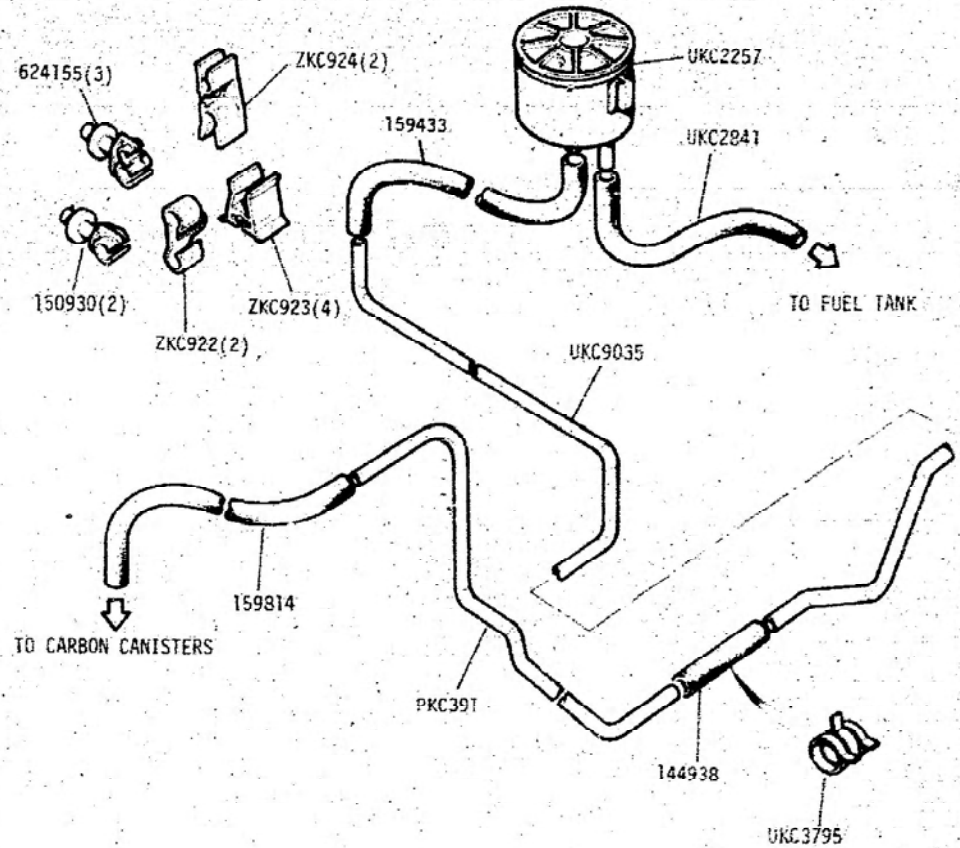


TR8

TJ 05L

VS1481

GROUP H  
EMISSION - Evaporative Loss Pipes and Separator Canister



TR8 CARB

TJ 05R

R4979/1

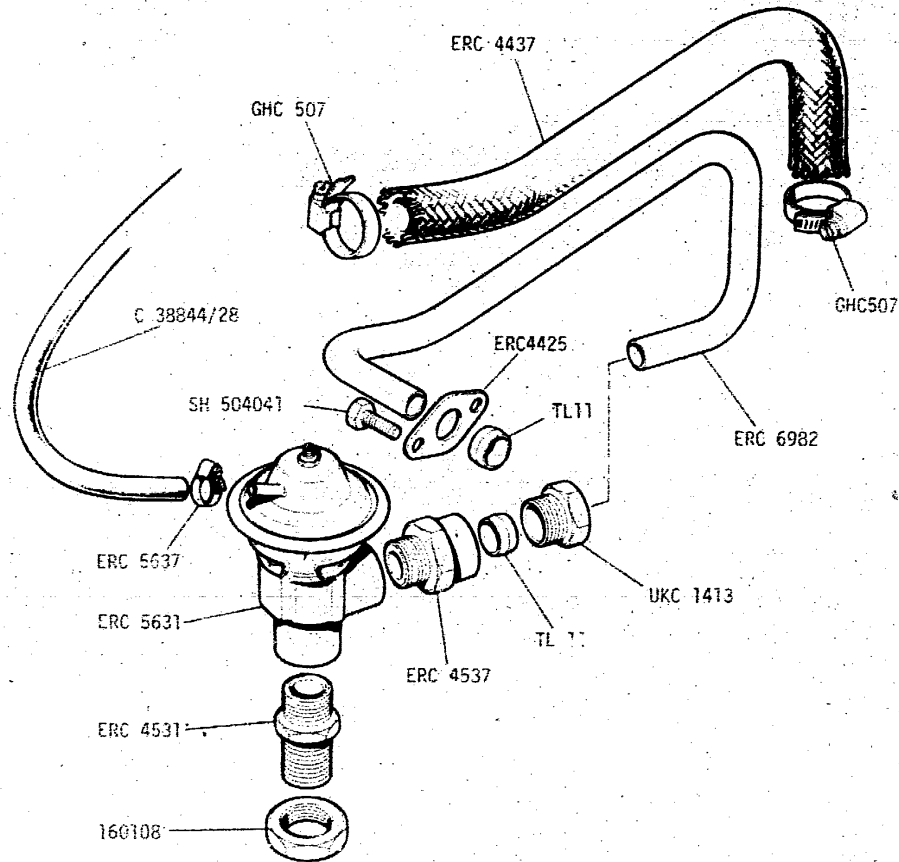
GROUP INDEX

Introduction	<b>1B 2B</b>	Steering	<b>1G</b>
Engine	<b>1C</b>	Brakes and Brake Controls	<b>1H</b>
Flywheel and Clutch	<b>1D</b>	Fuel, Exhaust and Emission Systems	<b>1I - J</b>
Gearbox and Propshaft	<b>1E</b>	Cooling, Heating and Air Conditioning	<b>1K</b>
Axles, Suspension, Drive Shafts, Wrenches	<b>1F</b>	Electrical, Washers-Wipers, Instruments	<b>1L-M</b>

Chassis, Subframes, Bodyshell, Fittings	<b>2C</b>
Fascia, Trim, Seats and Fixings	<b>2D</b>
Miscellaneous	<b>2E</b>
Numerical Index	<b>2F</b>

**1J05**

GROUP H  
EMISSION - EGR VALVE PI

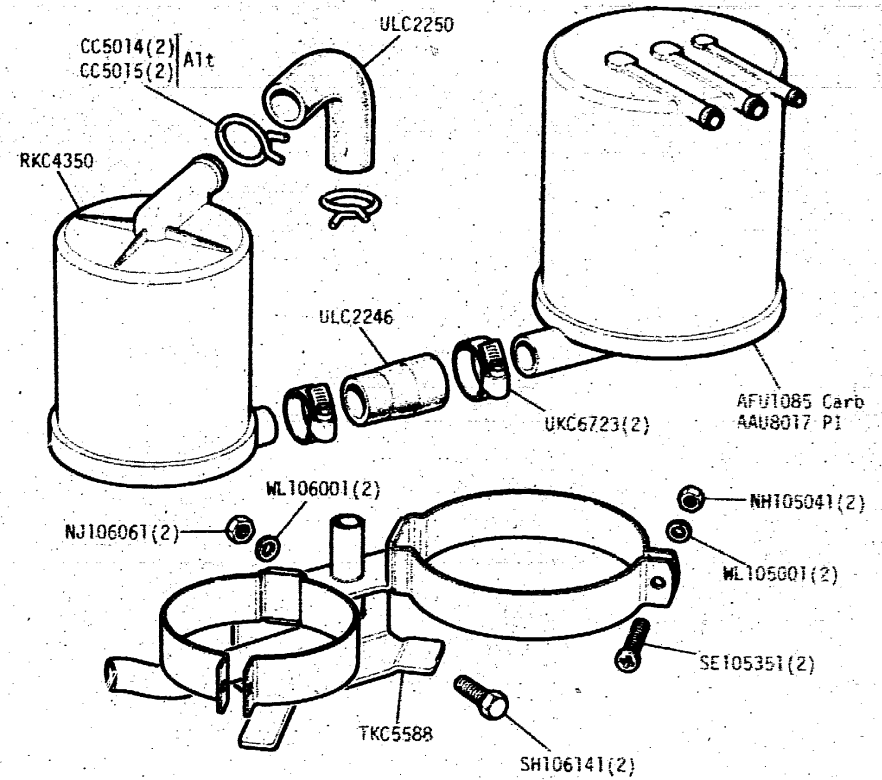


TR8

TJ 06L

VS1974

GROUP H  
EMISSION - CARBON CANISTERS VIN 201303 →



TR8

TJ 06R

VS1747

GROUP INDEX

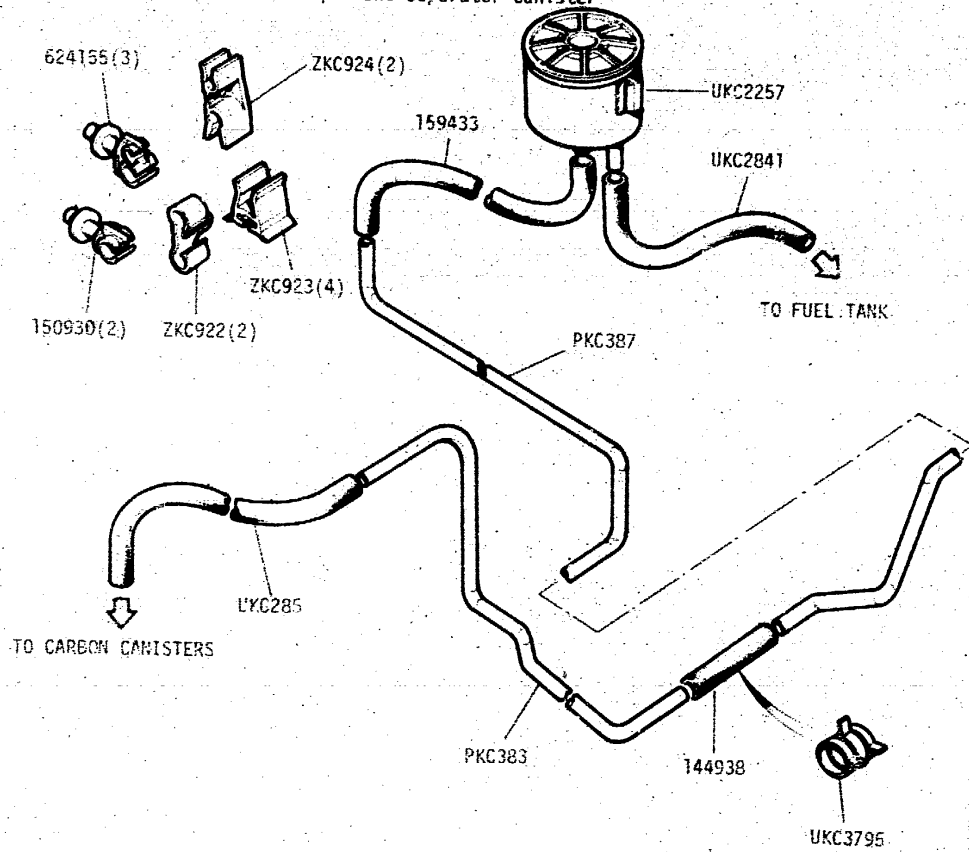
Introduction	<b>1B 2B</b>	Steering	<b>1G</b>
Engine	<b>1C</b>	Brakes and Brake Controls	<b>1H</b>
Flywheel and Clutch	<b>1D</b>	Fuel, Exhaust and Emission Systems	<b>1I - J</b>
Gearbox and Propshaft	<b>1E</b>	Cooling, Heating and Air Conditioning	<b>1K</b>
Axles, Suspension, Drive Shafts, Wheels	<b>1F</b>	Electrical, Washers-Wipers, Instruments	<b>1L - M</b>

Chassis, Subframes, BodysHELL, Fittings	<b>2C</b>
Fascia, Trim, Seats and Fixings	<b>2D</b>
Miscellaneous	<b>2E</b>
Numerical Index	<b>2F</b>

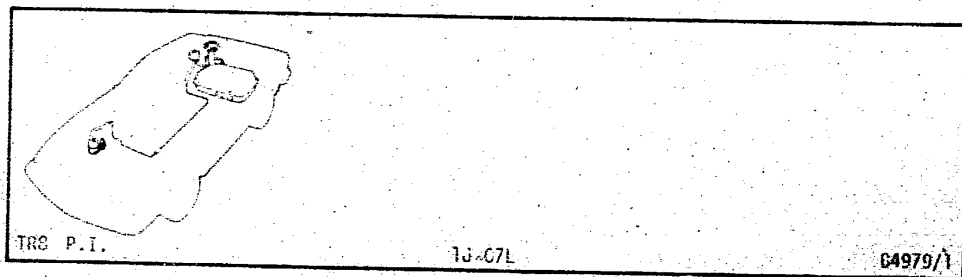
**1J06**

GROUP H

EMISSION - Evaporative Loss Pipes and Separator Canister



**BLANK**



GROUP INDEX

Introduction	<b>1B 2B</b>	Steering	<b>1G</b>	Chassis, Subframes, Bodysell, Fittings	<b>2C</b>
Engine	<b>1C</b>	Brakes and Brake Controls	<b>1H</b>	Fascia, Trim, Seats and Fixings	<b>2D</b>
Flywheel and Clutch	<b>1D</b>	Fuel, Exhaust and Emission Systems	<b>1I-J</b>	Miscellaneous	<b>2E</b>
Gearbox and Propshaft	<b>1E</b>	Cooling, Heating and Air Conditioning	<b>1K</b>	Numerical Index	<b>2F</b>
Axles, Suspension, Drive Shafts, Wheels	<b>1F</b>	Electrical, Washers-Wipers, Instruments	<b>1L-M</b>		

**1107**